

# Product Data Sheet



## 410 GP XX PSB

Replace "XX" with 01 through 23 for number of poles

Terminal Block– Open Back

5 Amps, 250 Volts (AC/DC)



(6 Pole shown)

### Copper Wire Only

Wire Range with Wire Binding Screw: #18 - #20 AWG  
Stranded Wire only

1/4" Centers

See table below for Wire Classes and torque

### Electrical Ratings:

- 5A with unprepared wire, (Based on NEC Table 310-16, 75°C columns)
- 5A with Listed ring lug, (Based on NEC Table 310-16, 75°C columns)
- 250 Volts AC/DC (UL 1059 Class B, User Group – Commercial Appliances)
- Short Circuit Current Rating: 10,000A (Default)
- Approved for Factory Wiring.

### Mechanical Ratings:

- Storage and transportation temperature range: -35°C to 110°C (-31°F to 230°F)\*
- Maximum insulator base temperature: 150°C (302°F)\* UL RTI
- Flammability rating of insulator base: UL 94V-2

\* Use outside these ratings needs to be judged in the end-use application.

### Materials:

- Insulator base: Phenolic
- Eyelet (Terminal): Brass, nickel plated
- Screw, #2-56 Binder head, Phil-Slot: Brass, nickel plated

### Agency Approvals:

- UL Recognized, UL 1059 Terminal Block Standard, File No. XCFR2.E47811
- CSA Certified, CSA C22.2 No. 158, File No. LR19766
- CE compliant, IEC 60947-7-1
- RoHS Compliant

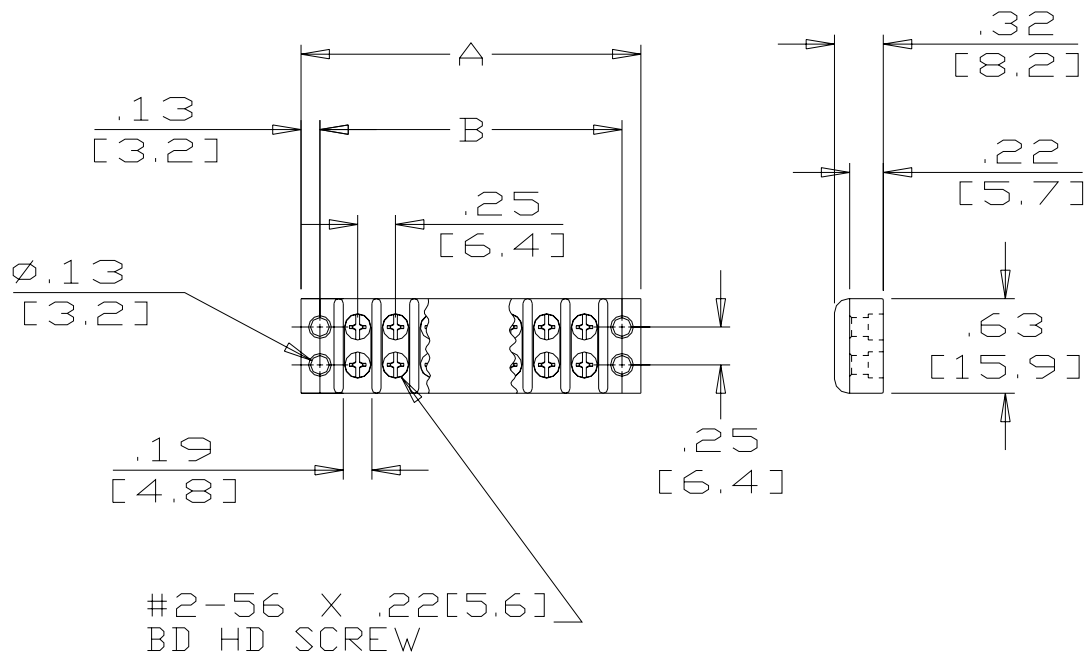
## Wire Range:

Copper Wire Stranding Classes - Number of Strands				
Wire Size	Torque	Solid	Class B	Class C
18	2 in. lbs	1	7	19
20	2 in. lbs	1	7	19

Suggested product mounting hardware: #4 fastener, torque to 5-7 in. lbs.

## ACCESSORIES:

- JJ (GDI-30F) Material available. Glass-fiber filler, diallyl ortho-phthalate. UL-94 V0. Certifiable to Military Specifications MIL-M-14 and MIL-P-19833.



Dimensions					Dimensions			
Catalog No	# of Poles	A	B		Catalog No	# of Poles	A	B
410 GP 01 PSB	1	0.75	0.50	X	410 GP 13 PSB	13	3.75	3.50
410 GP 02 PSB	2	1.00	0.75	X	410 GP 14 PSB	14	4.00	3.75
410 GP 03 PSB	3	1.25	1.00	X	410 GP 15 PSB	15	4.25	4.00
410 GP 04 PSB	4	1.50	1.25	X	410 GP 16 PSB	16	4.50	4.25
410 GP 05 PSB	5	1.75	1.50	X	410 GP 17 PSB	17	4.75	4.50
410 GP 06 PSB	6	2.00	1.75	X	410 GP 18 PSB	18	5.00	4.75
410 GP 07 PSB	7	2.25	2.00	X	410 GP 19 PSB	19	5.25	5.00
410 GP 08 PSB	8	2.50	2.25	X	410 GP 20 PSB	20	5.50	5.25
410 GP 09 PSB	9	2.75	2.50	X	410 GP 21 PSB	21	5.75	5.50
410 GP 10 PSB	10	3.00	2.75	X	410 GP 22 PSB	22	6.00	5.75
410 GP 11 PSB	11	3.25	3.00	X	410 GP 23 PSB	23	6.25	6.00
410 GP 12 PSB	12	3.50	3.25	X				

MM = Dim X 25.4

[WWW.MARATHONSP.COM](http://WWW.MARATHONSP.COM)  
1-419-352-8441

PDS 0273 REV A 4/1/08