

# Product Data Sheet



## 3XX Series Std

Replace "XX" with 01 through 24 for number of poles  
**Terminal Block– Closed Back**  
**30 Amps, 600 Volts (AC/DC)**



(6 Pole shown)

### Copper Wire Only

Wire Range with Wire Binding Screw: #10 - #14 AWG (solid recommended)

Application torque: 20 in. lbs

9/16" Centers

### Electrical Ratings:

- 30A with Listed ring lug or unprepared wire, (Based on NEC Table 310-16, 75°C columns)
- 600 Volts AC/DC (UL 1059 Class C, User Group - General Industrial)
- Short Circuit Current Rating: 10,000A (Default)
- Approved for Factory and Field Wiring.

### Mechanical Ratings:

- Storage and transportation temperature range: -35°C to 110°C (-31°F to 230°F)\*
  - Maximum insulator base temperature: 150°C (302°F)\* UL RTI
  - Flammability rating of insulator base: UL 94V-0
- \* Use outside these ratings needs to be judged in the end-use application.

### Materials:

- Connector (Contact): Brass, tin plated.
- Insulator base: Phenolic
- Drive screw (Rivet): Stainless steel
- Screw, #8-32 Binder head, Phil-Slot: Steel, nickel plated

### Agency Approvals:

- UL Recognized, UL 1059 Terminal Block Standard, File No. XCFR2.E62806
- CSA Certified, CSA C22.2 No. 158, File No. LR19766
- CE compliant, IEC 60947-7-1
- RoHS Compliant

## Wire Range:

Wire Size	Torque	Copper Wire Stranding Classes - Number of Strands		
		Solid	Class B	Class C
10	20 in. lbs		7	19
12	20 in. lbs		7	19
14	20 in. lbs		7	19

Suggested product mounting hardware: #8 fastener, torque to 15-20 in. lbs.

## ACCESSORIES:

- Printing (for printing options, see Terminal Block Printing on website)

- Marking strips - sub mounted, black only (FB) (For Printing Options, see section on website)

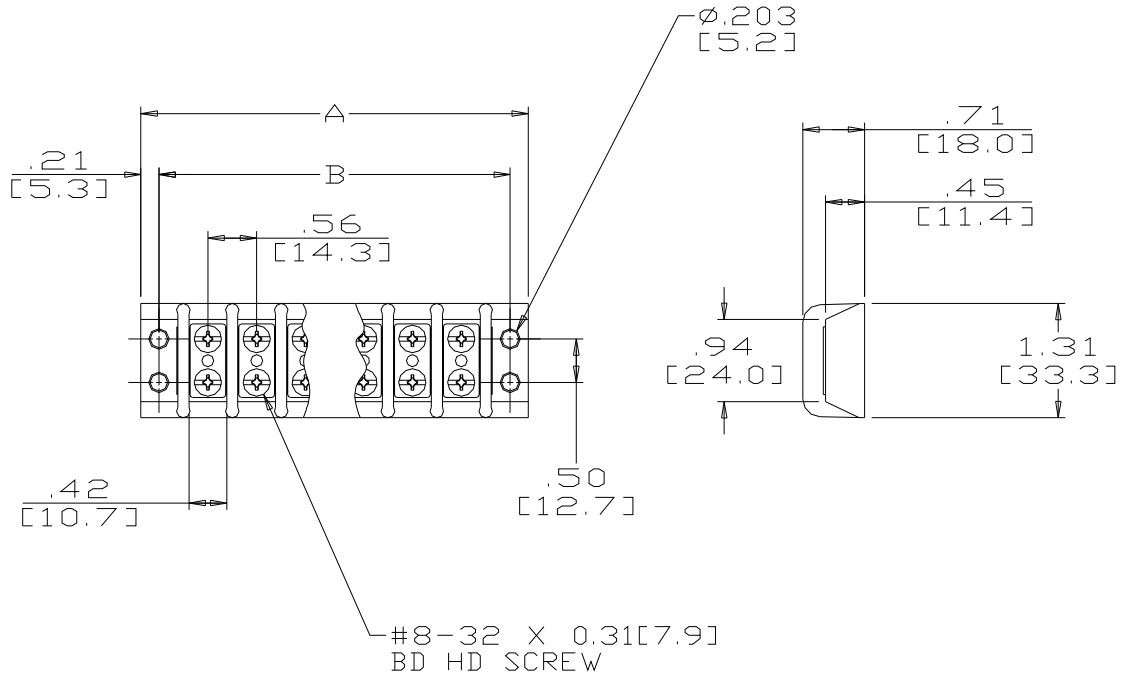


- Marking strips – top mounted, white only (SW)

- Cover – top mounted. Order CW (white) or CB (Black). Can be printed. See website.



- Phil-Slot Brass Screw (PSB)



MSP CATALOG #	# OF POLES	DIMENSIONS		MSP CATALOG #	# OF POLES	DIMENSIONS	
		A	B			A	B
301	1	1.54	1.13	313	13	8.29	7.88
302	2	2.10	1.69	314	14	8.85	8.44
303	3	2.66	2.25	315	15	9.41	9.00
304	4	3.22	2.81	316	16	9.97	9.56
305	5	3.78	3.38	317	17	10.54	10.13
306	6	4.35	3.94	318	18	11.10	10.69
307	7	4.91	4.50	319	19	11.66	11.25
308	8	5.47	5.06	320	20	12.22	11.81
309	9	6.04	5.63	321	21	12.79	12.38
310	10	6.60	6.19	322	22	13.35	12.94
311	11	7.16	6.75	323	23	13.91	13.50
312	12	7.72	7.31	324	24	14.47	14.06

MM = Dim X 25.4

[WWW.MARATHONSP.COM](http://WWW.MARATHONSP.COM)  
1-419-352-8441

PDS 0246 REV A 2/21/08