



Copyright FCI



FCIconnect.com



1 | 2

3 |

4

PRODUCT NUMBER  
20020110-XXXXXXLF

20020110- [ ] [ ] [ ] [ ] A 0 [ ] L F

PITCH  
C: 3.50 mm  
D: 3.81 mm  
G: 5.00 mm  
H: 5.08 mm

POLES  
02: 2 POLES  
03: 3 POLES  
04: 4 POLES  
|  
24: 24 POLES

LF : DENOTED RoHS COMPATIBLE

1 : STANDARD PRODUCT  
W/ BOX PACKING

PROPERTY TABLE				
FCI SERIES NAME	06-350	06-381	06-500	06-508
PITCH (mm)	3.50	3.81	5.00	5.08
VOLTAGE RATING (VAC)	300	300	300	300
CURRENT RATING (A)	cULus	10	10	12
	VDE	10.5	10.5	NA
WITHSTANDING VOLTAGE (kV)	cULus	1.6	1.6	1.6
	VDE	2.5	2.5	NA
OPERATING TEMP. (°C)	-40~+115	-40~+115	-40~+115	-40~+115
SOLDERING TEMP. (°C)	250±10	250±10	250±10	250±10
	(5 sec.)	(5 sec.)	(5 sec.)	(5 sec.)
POLES AVAILABLE	02~24	02~24	02~24	02~24
SAFETY CERTIFICATE				

HOUSING CODE

CODE	COLOR	AVAILABILITY
1	GREEN(RAL 6018/T)	STANDARD
2	BLACK	ON REQUEST ONLY
3	GREY(RAL 7004/P)	ON REQUEST ONLY
4	BLUE(RAL 5015/A)	ON REQUEST ONLY

- NOTES:
- MATERIALS  
1-1 HOUSING: THERMALPLASTIC RESIN, UL 94V-0 RATED.  
1-2 TERMINAL: COPPER ALLOY, TIN PLATED.
2. PRODUCTION SPECIFICATION REFER TO FCI GS-12-625.
3. BOXED PACKAGING.  
DETAILED PRODUCT PACKING SPECIFICATION REFER TO FCI GS-14-1394.
4. FCI, SAFETY CERTIFICATE LOGO AND SERIES NAME TO BE SHOWN ON PRODUCT SURFACE.
5. THE PRODUCTS WHERE THE PART NUMBER END IN "LF" MEET THE EUROPEAN UNION DIRECTIVE AND OTHER COUNTRY REGULATIONS AS DESCRIBED IN GS-22-008.
6. RECOMMENDED SOLDERING PROCESS BY WAVE SOLDER.

mat'l. code	surface ASME Y14.5	tolerance ASME Y14.5	projection	product family
itr	ecn no	dr	date	terminal BLOCK
C	109-1152	BF	112609	title TERMINAL BLOCK PLUGGABLE SOCKET, RIGHT ANGLE
D	T10-0042	WL	030310	
E	T10-0109	WL	070810	dwg no 20020110
F	T10-0159	WL	100410	
G	T10-0187	WL	121410	sheet 1 of 5 size A4
H	T10-0193	WL	122310	
J	T11-0013	WL	040811	type CUSTOMER Drawing
sheet index	revision sheet	J	J	

form: A4mmXLC

1 |

2 |

PDM: Rev:J 3 | STATUS Released Printed: Apr 21, 2011 4



Copyright FCI



FCIconnect.com

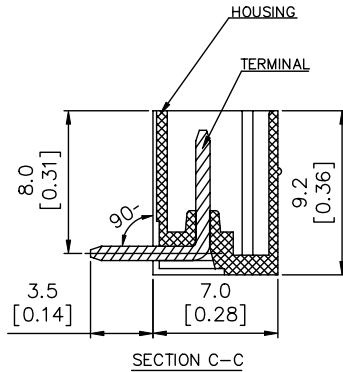
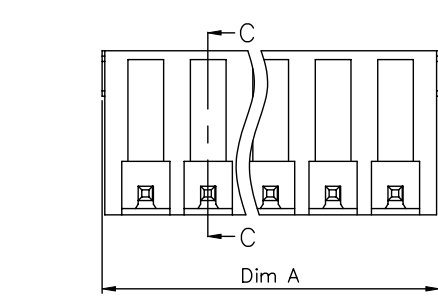
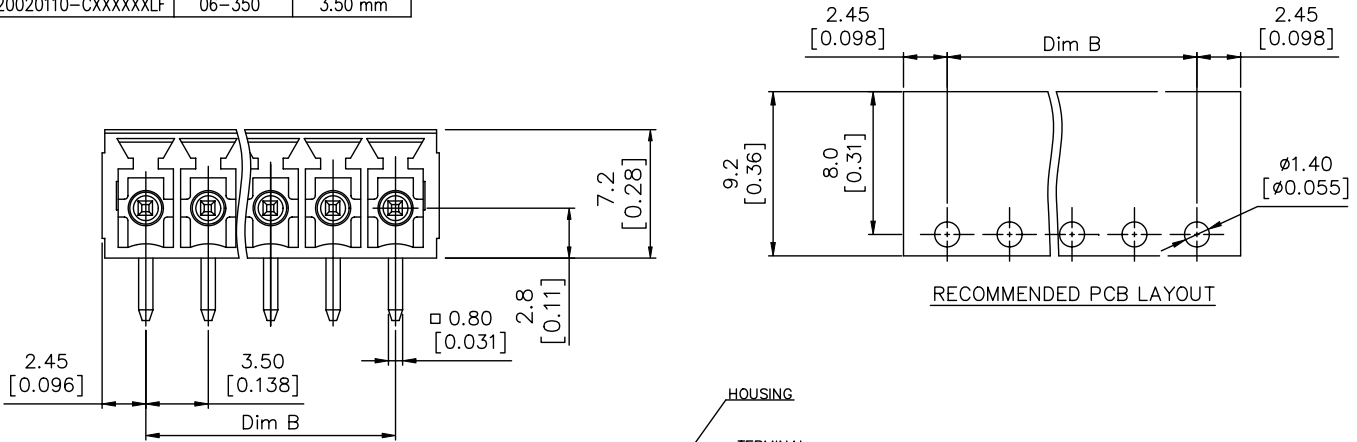


1 | 2

3 |

4

PRODUCT NUMBER	SERIES NAME	PITCH
20020110-CXXXXXLf	06-350	3.50 mm



N = Number of poles  
 Dim A = Dim B + 4.9 [0.193]  
 Dim B = (N-1) x 3.5 [0.138]

POLES	Dim A	Dim B
2-6p	±0.15 [0.006]	
7-12p	±0.20 [0.008]	
13-18p	±0.25 [0.010]	
19-24p	±0.30 [0.012]	

mat'l. code	surface ASME Y14.5	tolerance ASME Y14.5	projection	product family
ltr	ecn no	dr	date	TERMINAL BLOCK
J				title
				TERMINAL BLOCK
				PLUGGABLE SOCKET, RIGHT ANGLE
				dwg no
				20020110
				sheet 2 of 5
				size
				A4
				type
				CUSTOMER Drawing
sheet index	revision	sheet		

form: A4mmXLc

1 |

2 |

PDM: Rev:J 3 | STATUS Released Printed: Apr 21, 2011 4



Copyright FCI



FCIconnect.com

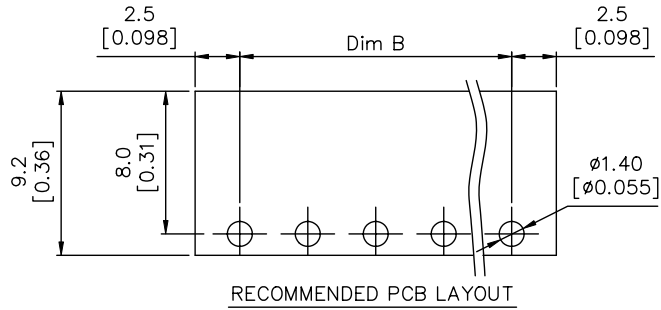
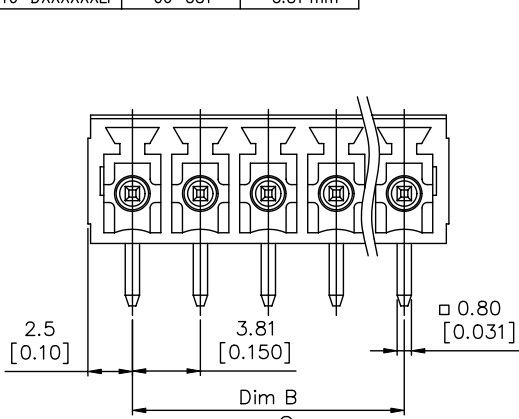


1 | 2

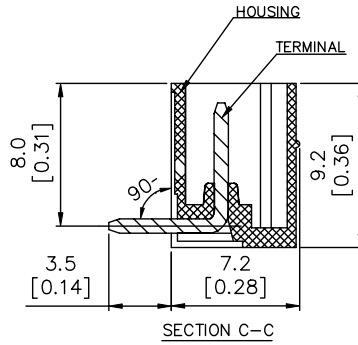
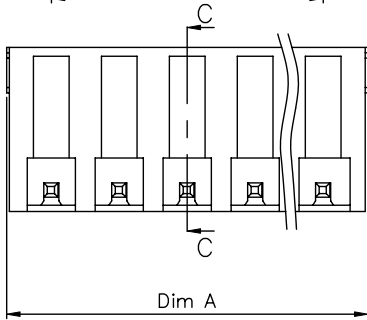
3 |

4

PRODUCT NUMBER	SERIES NAME	PITCH
20020110-DXXXXXL	06-381	3.81 mm



RECOMMENDED PCB LAYOUT



SECTION C-C

N = Number of poles  
 Dim A = Dim B + 5.0 [0.197]  
 Dim B = (N-1) x 3.81 [0.150]

POLES	Dim A	Dim B
2-6p	±0.15 [0.006]	
7-12p	±0.20 [0.008]	
13-16p	±0.25 [0.010]	
17-24p	±0.30 [0.012]	

mat'l. code	surface ASME Y14.5	tolerance ASME Y14.5	projection	product family
ltr	ecn no	dr	date	TERMINAL BLOCK
J				title
				TERMINAL BLOCK
				PLUGGABLE SOCKET, RIGHT ANGLE
				dwg no
				20020110
				sheet 3 of 5
				size
				A4
				type
				CUSTOMER Drawing
sheet index	revision	sheet		

form: A4mmXLc

1 |

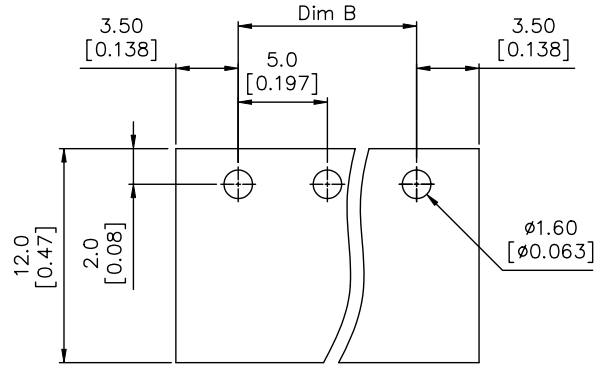
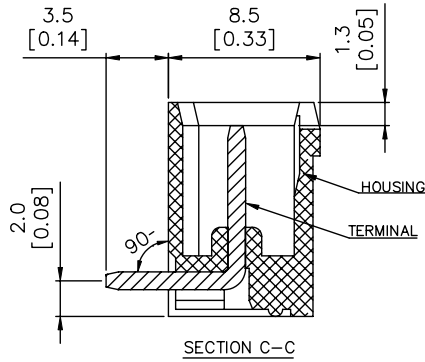
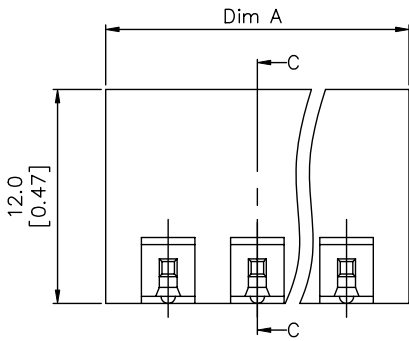
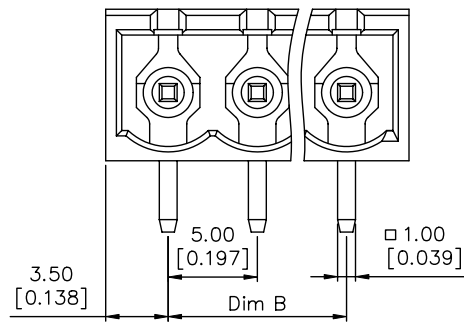
2 |

PDM: Rev:J 3 | STATUS Released Printed: Apr 21, 2011 4

Copyright FCI

**FCI**  
FCIconnect.com

PRODUCT NUMBER	SERIES NAME	PITCH
20020110-GXXXXXL	06-500	5.00 mm



RECOMMENDED PCB LAYOUT

N = Number of poles  
 Dim A =  $N \times 5.0 [0.197] + 2.0 [0.193]$   
 Dim B =  $(N - 1) \times 5.0 [0.197]$

POLES	Dim A	Dim B
2-6p	$\pm 0.15 [0.006]$	
7-12p	$\pm 0.25 [0.010]$	
13-16p	$\pm 0.35 [0.014]$	
17-24p	$\pm 0.40 [0.016]$	

mat'l. code	surface ASME Y14.5	tolerance ASME Y14.5	projection	product family
ltr	ecn no	dr	date	TERMINAL BLOCK
J				title
				TERMINAL BLOCK
				PLUGGABLE SOCKET, RIGHT ANGLE
				dwg no
				20020110
				sheet 4 of 5
				size
				A4
				type
				CUSTOMER Drawing
sheet index	revision	sheet		

form: A4mmXLc

PDM: Rev:J 3 | STATUS Released | Printed: Apr 21, 2011 4

Copyright FCI

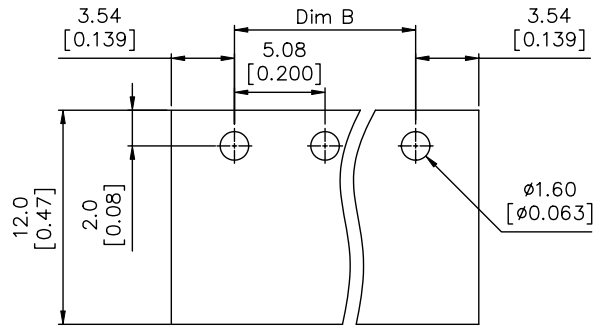
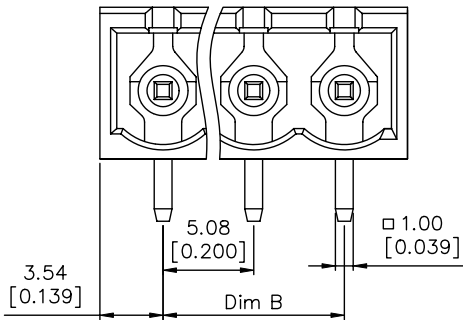
**FCI**  
FCIconnect.com

1 | 2

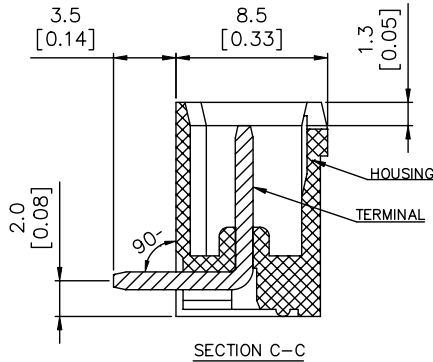
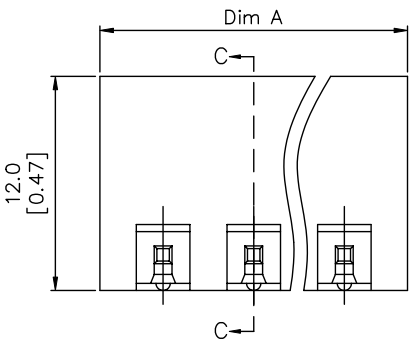
3 |

4

PRODUCT NUMBER	SERIES NAME	PITCH
20020110-HXXXXXXLF	06-508	5.08 mm



RECOMMENDED PCB LAYOUT



N = Number of poles  
 Dim A =  $N \times 5.08 [0.200] + 2.0 [0.193]$   
 Dim B =  $(N - 1) \times 5.08 [0.200]$

POLES	Dim A	Dim B
2-6p	$\pm 0.15 [0.006]$	
7-12p	$\pm 0.25 [0.010]$	
13-18p	$\pm 0.35 [0.014]$	
19-24p	$\pm 0.40 [0.016]$	

mat'l. code	surface ASME Y14.5	tolerance ASME Y14.5	projection	product family
ltr	ecn no	dr	date	TERMINAL BLOCK
J				title
				TERMINAL BLOCK
				PLUGGABLE SOCKET, RIGHT ANGLE
				dwg no
				20020110
				sheet 5 of 5
				size
				A4
				type
				CUSTOMER Drawing
sheet index	revision sheet			

form: A4mmXLc

1 |

2 |

PDM: Rev:J 3 | STATUS Released Printed: Apr 21, 2011 4