



Copyright FCI



FCIconnect.com



1 | 2

3 |

4

PRODUCT NUMBER
20020004-XXXXXXLF

20020004-□ □ □ □ □ 0 □ LF

PITCH
C: 3.50 mm
D: 3.81 mm

POLES
02: 2 POLES
03: 3 POLES
04: 4 POLES
24: 24 POLES

LF : DENOTED RoHS COMPATIBLE

1 : STANDARD PRODUCT
W/ BOX PACKING

SCREW CODE

PROPERTY TABLE				
FCI SERIES NAME		01-350	01-381	
PITCH (mm)		3.50	3.81	
VOLTAGE RATING (VAC)		300	300	
CURRENT RATING (A)	cULus	10	10	
	VDE	10.5	10.5	
APPLICABLE WIRE RANGE (AWG)	1-WIRE	16~26	16~26	
	2-WIRE	20	20	
WIRE CROSS SECTION (mm ²)	SOLID	1-WIRE	1.5	1.5
		2-WIRE	0.5	0.5
	STRANDED	1-WIRE	1.5	1.5
		2-WIRE	0.75	0.75
OPENING CONTACT HOUSING(mm ²)		1.6x2.5	1.6x2.5	
WIRE STRIP LENGTH(mm)		6~7	6~7	
TORQUE +/- 10% (N-m/Lb-in)		0.23/2.0	0.23/2.0	
SCREW		M2x0.4	M2x0.4	
WITHSTANDING VOLTAGE (kV)	cULus	1.6	1.6	
	VDE	2.5	2.5	
OPERATING TEMP. (°C)		-40~+115	-40~+115	
POLES AVAILABLE		02~24	02~24	
SAFETY CERTIFICATE				

CODE	COLOR	AVAILABILITY
1	GREEN(RAL 6018/T)	STANDARD
2	BLACK	ON REQUEST ONLY
3	GREY(RAL 7004/P)	ON REQUEST ONLY
4	BLUE(RAL 5015/A)	ON REQUEST ONLY

CODE	SCREW TYPE	AVAILABILITY
A	-/+	ON REQUEST ONLY
B	-	STANDARD

- NOTES:
1. MATERIALS
1-1 HOUSING: THERMALPLASTIC RESIN, UL 94V-0 RATED.
1-2 SCREW: STEEL, ZINC PLATED.
1-3 CLAMP: COPPER ALLOY, NICKEL PLATED.
1-4 TERMINAL: COPPER ALLOY, TIN PLATED.
2. PRODUCT SPECIFICATION REFER TO FCI GS-12-625.
3. BOXED PACKAGING,
DETAILED PRODUCT PACKING SPECIFICATION REFER TO FCI GS-14-1394.
4. FCI, SAFETY CERTIFICATE LOGO AND SERIES NAME TO BE SHOWN ON PRODUCT SURFACE.
5. THE PRODUCTS WHERE THE PART NUMBER END IN "LF" MEET THE EUROPEAN UNION DIRECTIVE AND OTHER COUNTRY REGULATIONS AS DESCRIBED IN GS-22-008.

mat'l. code		surface ASME Y14.5	tolerance ASME Y14.5	projection	product family
title		tolerances unless otherwise specified			TERMINAL BLOCK
ltr	ecn no	dr	date	MM	title
E	T10-0127	WL	080910	X.±0.5	TERMINAL BLOCK
F	T10-0147	WL	091310	X.X±0.3	PLUGGABLE PLUG, SIGNAL, W/O FLANGE
G	T10-0159	WL	100410	X.X±0.1	CONTACT UP SIDE
H	T10-0187	WL	121410	dr	BEER FU 062509
J	T10-0193	WL	122310	enr	BEER FU 062509
K	T11-0013	WL	040811	chr	GARY HSIEH 062509
sheet index		revision sheet	K K K	1 2 3	appd JOSEPH HSIA 062509
dwg no		sheet 1 of 3		size	A4
type		CUSTOMER Drawing		20020004	

form: A4mmXLc

1 |

2 |

PDM: Rev:K 3 | STATUS Released Printed: Apr 21, 2011 4



Copyright FCI



FCIconnect.com

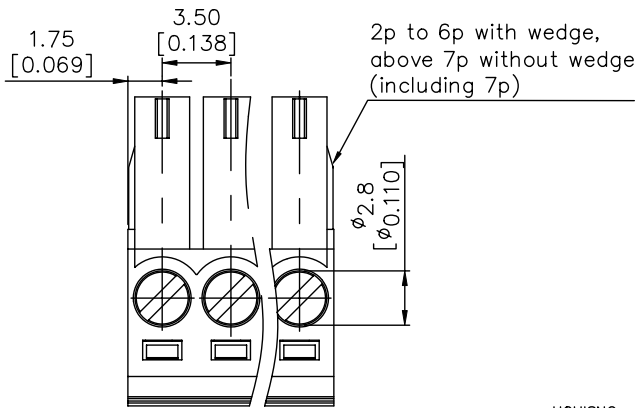


1 | 2

3

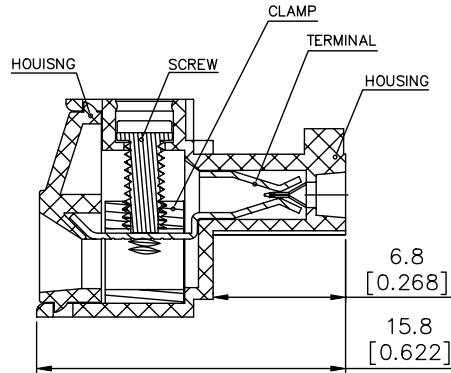
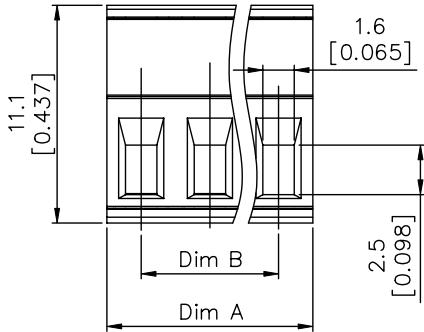
4

PRODUCT NUMBER	SERIES NAME	PITCH
20020004-CXXXXXXLF	01-350	3.50 mm



N = Number of poles
 Dim A = N x 3.5 [0.138]
 Dim B = (N - 1) x 3.5 [0.138]

POLES	Dim A	Dim B
2-6p	±0.15 [0.006]	
7-12p	±0.20 [0.008]	
13-18p	±0.25 [0.010]	
19-24p	±0.30 [0.012]	



mat'l. code	surface ASME Y14.5	tolerance ASME Y14.5	projection	product family
ltr	ecn	no	dr	date
tolerances unless otherwise specified				title
k	angles	MM	[INCH]	TERMINAL BLOCK
	X ± 0.5			PLUGGABLE PLUG, SIGNAL, W/O FLANGE
	X.X ± 0.3			CONTACT UP SIDE
	X.X ± 0.1			
dr	BEER FU	062509		dwg no
enr	BEER FU	062509		sheet 2 of 3
chr	GARY HSIEH	062509		size
appd	JOSEPH HSIA	062509		20020004
sheet index	revision sheet			A4
				type
				CUSTOMER Drawing

form: A4mmXLc

1

2

PDM: Rev:K 3 | STATUS Released Printed: Apr 21, 2011 4



Copyright FCI



FCIconnect.com

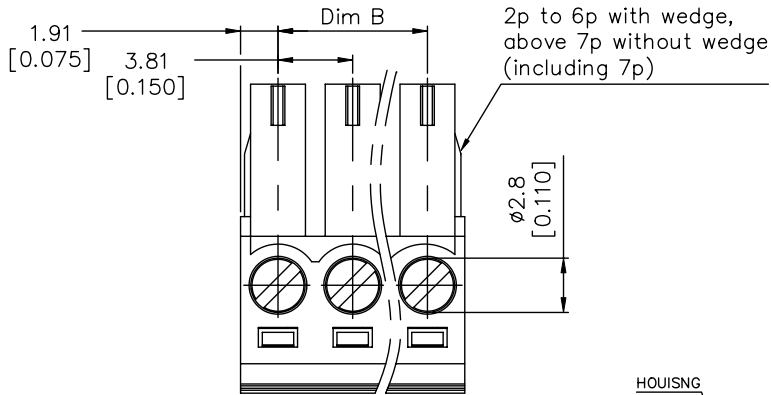


1 | 2

3 |

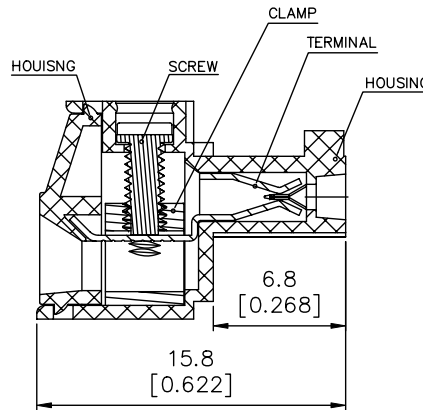
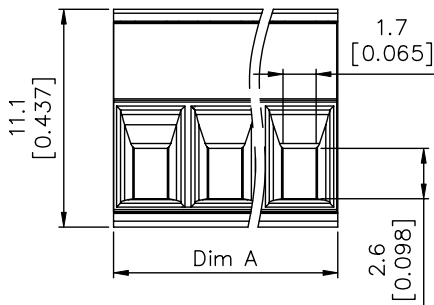
4

PRODUCT NUMBER	SERIES NAME	PITCH
20020004-DXXXXXLF	01-381	3.81 mm



N = Number of poles
 Dim A = $N \times 3.81 [0.150]$
 Dim B = $(N-1) \times 3.81 [0.150]$

POLES	Dim A	Dim B
2-6p	$\pm 0.15 [0.006]$	
7-12p	$\pm 0.20 [0.008]$	
13-18p	$\pm 0.25 [0.010]$	
19-24p	$\pm 0.30 [0.012]$	



mat'l. code	surface ASME Y14.5	tolerance ASME Y14.5	projection	product family
ltr	ecn	no	dr	date
tolerances unless otherwise specified				title
k	angles	MM	[INCH]	TERMINAL BLOCK
	X.±0.5	scale		PLUGGABLE PLUG, SIGNAL, W/O FLANGE
	X.X±0.3			CONTACT UP SIDE
	X.X±0.1			
dr	BEER FU	062509		dwg no
enr	BEER FU	062509		sheet 3 of 3
chr	GARY HSIEH	062509		size
appd	JOSEPH HSIA	062509		A4
sheet index	revision sheet			type
				CUSTOMER Drawing

form: A4mmXLc

1 |

2 |

PDM: Rev:K 3 | STATUS Released Printed: Apr 21, 2011 4