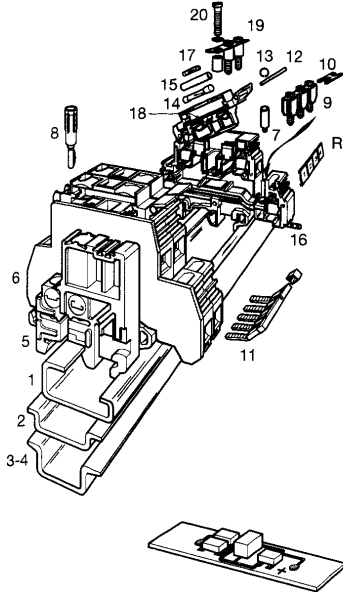


Fuse-holder terminal blocks, double deck, for 5 x 20 mm GMA and 5 x 25 mm fuses



Removable fusion indicator

Characteristics

Wire size (see generalities)	Solid wire	0-4 mm ²	22-12AWG	18-12AWG	0-4 mm ²	0-4 mm ²	22-12AWG	18-12AWG	0-4 mm ²	0-4 mm ²	22-12AWG	18-12AWG	0-4 mm ²
	Stranded wire	0-4 mm ²			0-4 mm ²	0-4 mm ²			0-4 mm ²	0-4 mm ²			0-4 mm ²

Rated voltage	V	~ AC = DC	500 Gr.C	600	250	500 Cat.C	500 Gr.C	600	250	500 Cat.C	500 Gr.C	600	250	500 Cat.C
			600 Gr.C			500 Cat.C	600 Gr.C			500 Cat.C	600 Gr.C			500 Cat.C

Rated current	A	6.3	6.3	6.3	6.3	6.3	6.3	6.3	6.3	6.3	6.3	6.3	6.3	6.3
---------------	---	-----	-----	-----	-----	-----	-----	-----	-----	-----	-----	-----	-----	-----

Rated wire size	4 mm ²	12 AWG	12 AWG	2.5 mm ²	4 mm ²	12 AWG	12 AWG	2.5 mm ²	4 mm ²	12 AWG	12 AWG	2.5 mm ²
-----------------	-------------------	--------	--------	---------------------	-------------------	--------	--------	---------------------	-------------------	--------	--------	---------------------

Other characteristics

For compression clamp connection	9.5 mm .374"	4 mm	0.4-0.6Nm 3.5-5.3lb.in	IP20	9.5 mm .374"	4 mm	0.4-0.6Nm 3.5-5.3lb.in	IP20	9.5 mm .374"	4 mm	0.4-0.6Nm 3.5-5.3lb.in	IP20
----------------------------------	-----------------	------	---------------------------	------	-----------------	------	---------------------------	------	-----------------	------	---------------------------	------

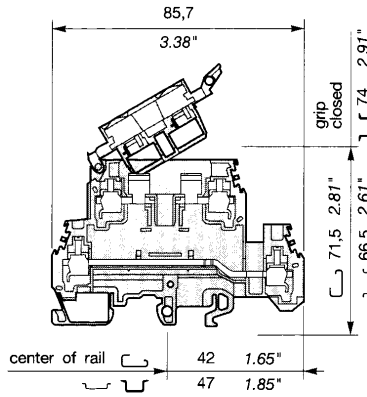
Approvals (Contact Entelec)	UL	CSA	NFC-UTE	UL	CSA	NFC-UTE	UL	CSA	NFC-UTE	UL	CSA	NFC-UTE
-----------------------------	----	-----	---------	----	-----	---------	----	-----	---------	----	-----	---------

Accessories

- 1 Rail 32 x 15 DIN1
- 2 Rail 35 x 7.5 x 1 DIN3
- 3 Rail 35 x 15 x 2.3 DIN3
- 4 Rail 35 x 15 x 1.5
- 5 High end stop (recommended)
- 6 End section
- 7 Test socket
- 8 Test plug
- 9 Assembled jumper bar
- 10 Connector plate
- 11 Comb-type jumper bar
- 12 Assembly rod (to allow multi-pole operation)
- 13 Assembly ring
- 14 Fuse 5x20 mm and 5x25 mm - 250 V fast acting
- 15 Disconnect link bar
- 16 Shield connector
- 17 Neon lamp
- 18 LED detector
- 19 Jumper bar not preassembled
- 20 Screw for item 19
- R See markers section Marking method

M 4/8.D2.SF

Spacing 8 mm .315" **NEW!**



Standard block

Type	P/N
Grey body	
M 4/8.D2.SF	115 604.21

Characteristics

Wire size (see generalities)	Solid wire	0-4 mm ²	22-12AWG	18-12AWG	0-4 mm ²	0-4 mm ²	22-12AWG	18-12AWG	0-4 mm ²	0-4 mm ²	22-12AWG	18-12AWG	0-4 mm ²
	Stranded wire	0-4 mm ²			0-4 mm ²	0-4 mm ²			0-4 mm ²	0-4 mm ²			0-4 mm ²

Rated voltage	V	~ AC = DC	500 Gr.C	600	250	500 Cat.C	500 Gr.C	600	250	500 Cat.C	500 Gr.C	600	250	500 Cat.C
			600 Gr.C			500 Cat.C	600 Gr.C			500 Cat.C	600 Gr.C			500 Cat.C

Rated current	A	6.3	6.3	6.3	6.3	6.3	6.3	6.3	6.3	6.3	6.3	6.3	6.3	6.3
---------------	---	-----	-----	-----	-----	-----	-----	-----	-----	-----	-----	-----	-----	-----

Rated wire size	4 mm ²	12 AWG	12 AWG	2.5 mm ²	4 mm ²	12 AWG	12 AWG	2.5 mm ²	4 mm ²	12 AWG	12 AWG	2.5 mm ²
-----------------	-------------------	--------	--------	---------------------	-------------------	--------	--------	---------------------	-------------------	--------	--------	---------------------

Other characteristics

For compression clamp connection	9.5 mm .374"	4 mm	0.4-0.6Nm 3.5-5.3lb.in	IP20	9.5 mm .374"	4 mm	0.4-0.6Nm 3.5-5.3lb.in	IP20	9.5 mm .374"	4 mm	0.4-0.6Nm 3.5-5.3lb.in	IP20
----------------------------------	-----------------	------	---------------------------	------	-----------------	------	---------------------------	------	-----------------	------	---------------------------	------

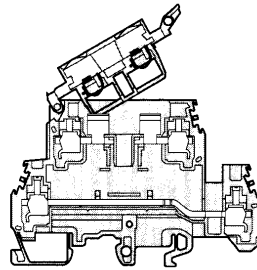
Approvals (Contact Entelec)	UL	CSA	NFC-UTE	UL	CSA	NFC-UTE	UL	CSA	NFC-UTE	UL	CSA	NFC-UTE
-----------------------------	----	-----	---------	----	-----	---------	----	-----	---------	----	-----	---------

Accessories

Type	P/N
PR1 Z2	163 050.04
PR30	173 220.05
PR4	168 500.12
PR5	101 598.26
BAMH	114 836.00
FEM8D2S	116 913.07
AL (1) (4)	(see access.)
FC	(see access.)
BJM8 (4)	(see access.)
EL6	173 627.21
PC81	173 523.11
TGA8	168 672.11
	168 673.12
	168 674.13
ANT (2)	168 675.14
FU520	1.6 A 168 831.21
	2 A 168 832.22
	2.5 A 168 833.23
	4 A 168 834.24
	6.3 A 168 835.25
FU525	1.6 A 167 546.22
	2 A 167 547.23
	2.5 A 167 548.04
	4 A 167 549.05
	6.3 A 167 550.02
CN5	168 804.07
CBD2S	178 408.14

M 4/8.D2.SFL

Spacing 8 mm .315" **NEW!**



M 4/8.D2 SF block equipped with contacts for fusion indicator, delivered separately

Type	P/N
Grey body	
M4/8.D2.SFL	115 605.22

Characteristics

Wire size (see generalities)	Solid wire	0-4 mm ²	22-12AWG	18-12AWG	0-4 mm ²	0-4 mm ²	22-12AWG	18-12AWG	0-4 mm ²	0-4 mm ²	22-12AWG	18-12AWG	0-4 mm ²
	Stranded wire	0-4 mm ²			0-4 mm ²	0-4 mm ²			0-4 mm ²	0-4 mm ²			0-4 mm ²

Rated voltage	V	~ AC = DC	500 Gr.C	600	250	500 Cat.C	500 Gr.C	600	250	500 Cat.C	500 Gr.C	600	250	500 Cat.C
			600 Gr.C			500 Cat.C	600 Gr.C			500 Cat.C	600 Gr.C			500 Cat.C

Rated current	A	6.3	6.3	6.3	6.3	6.3	6.3	6.3	6.3	6.3	6.3	6.3	6.3	6.3
---------------	---	-----	-----	-----	-----	-----	-----	-----	-----	-----	-----	-----	-----	-----

Rated wire size	4 mm ²	12 AWG	12 AWG	2.5 mm ²	4 mm ²	12 AWG	12 AWG	2.5 mm ²	4 mm ²	12 AWG	12 AWG	2.5 mm ²
-----------------	-------------------	--------	--------	---------------------	-------------------	--------	--------	---------------------	-------------------	--------	--------	---------------------

Other characteristics

For compression clamp connection	9.5 mm .374"	4 mm	0.4-0.6Nm 3.5-5.3lb.in	IP20	9.5 mm .374"	4 mm	0.4-0.6Nm 3.5-5.3lb.in	IP20	9.5 mm .374"	4 mm	0.4-0.6Nm 3.5-5.3lb.in	IP20
----------------------------------	-----------------	------	---------------------------	------	-----------------	------	---------------------------	------	-----------------	------	---------------------------	------

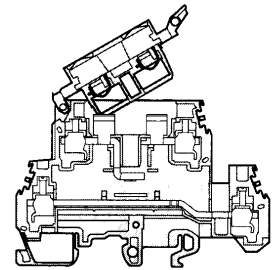
Approvals (Contact Entelec)	UL	CSA	NFC-UTE	UL	CSA	NFC-UTE	UL	CSA	NFC-UTE	UL	CSA	NFC-UTE
-----------------------------	----	-----	---------	----	-----	---------	----	-----	---------	----	-----	---------

Accessories

Type	P/N
PR1 Z2	163 050.04
PR30	173 220.05
PR4	168 500.12
PR5	101 598.26
BAMH	114 836.00
FEM8D2S	116 913.07
AL (1) (4)	(see access.)
FC	(see access.)
BJM8 (4)	(see access.)
EL6	173 627.21
PC81	173 523.11
TGA8	168 672.11
	168 673.12
	168 674.13
ANT (2)	168 675.14
FU520	1.6 A 168 831.21
	2 A 168 832.22
	2.5 A 168 833.23
	4 A 168 834.24
	6.3 A 168 835.25
FU525	1.6 A 167 546.22
	2 A 167 547.23
	2.5 A 167 548.04
	4 A 167 549.05
	6.3 A 167 550.02
CN5	168 804.07
CBD2S	178 408.14
LEN	110-220 V AC 167 075.25
LEL24	24 V 178 469.10
LEL48	48 V 178 470.15

M 4/8.D2.SFL1

Spacing 8 mm .315" **NEW!**



M 4/8.D2.SFL block equipped with contacts for fusion indicator delivered separately. Internal jumpering option delivered separately.

Type	P/N
Grey body	
M4/8.D2.SFL1	115 606.23

Characteristics

Wire size (see generalities)	Solid wire	0-4 mm ²	22-12AWG	18-12AWG	0-4 mm ²	0-4 mm ²	22-12AWG	18-12AWG	0-4 mm ²	0-4 mm ²	22-12AWG	18-12AWG	0-4 mm ²
	Stranded wire	0-4 mm ²			0-4 mm ²	0-4 mm ²			0-4 mm ²	0-4 mm ²			0-4 mm ²

Rated voltage	V	~ AC = DC	500 Gr.C	600	250	500 Cat.C	500 Gr.C	600	250	500 Cat.C	500 Gr.C	600	250	500 Cat.C
			600 Gr.C			500 Cat.C	600 Gr.C			500 Cat.C	600 Gr.C			500 Cat.C

Rated current	A	6.3	6.3	6.3	6.3	6.3	6.3	6.3	6.3	6.3	6.3	6.3	6.3	6.3
---------------	---	-----	-----	-----	-----	-----	-----	-----	-----	-----	-----	-----	-----	-----

Rated wire size	4 mm ²	12 AWG	12 AWG	2.5 mm ²	4 mm ²	12 AWG	12 AWG	2.5 mm ²	4 mm ²	12 AWG	12 AWG	2.5 mm ²
-----------------	-------------------	--------	--------	---------------------	-------------------	--------	--------	---------------------	-------------------	--------	--------	---------------------

Other characteristics

For compression clamp connection	9.5 mm .374"	4 mm	0.4-0.6Nm 3.5-5.3lb.in	IP20	9.5 mm .374"	4 mm	0.4-0.6Nm 3.5-5.3lb.in	IP20	9.5 mm .374"	4 mm	0.4-0.6Nm 3.5-5.3lb.in	IP20
----------------------------------	-----------------	------	---------------------------	------	-----------------	------	---------------------------	------	-----------------	------	---------------------------	------

Approvals (Contact Entelec)	UL	CSA	NFC-UTE	UL	CSA	NFC-UTE	UL	CSA	NFC-UTE	UL	CSA	NFC-UTE
-----------------------------	----	-----	---------	----	-----	---------	----	-----	---------	----	-----	---------

Accessories

Type	P/N
PR1 Z2	163 050.04
PR30	173 220.05
PR4	168 500.12
PR5	101 598.26
BAMH	114 836.00
FEM8D2S	116 913.07
AL (1) (4)	(see access.)
FC	(see access.)
BJM8 (4)	(see access.)
EL6	173 627.21
PC81	173 523.11
TGA8	168 672.11
	168 673.12
	168 674.13
ANT (2)	168 675.14
FU520	1.6 A 168 831.21
	2 A 168 832.22
	2.5 A 168 833.23
	4 A 168 834.24
	6.3 A 168 835.25
FU525	1.6 A 167 546.22
	2 A 167 547.23
	2.5 A 167 548.04
	4 A 167 549.05
	6.3 A 167 550.02
CN5	168 804.07
CBD2S	178 408.14
LEN	110-220 V AC 167 075.25
LEL24	24 V 178 469.10
LEL48	48 V 178 470.15
BJM8 (3)	(see access.)
VJS11	163 394.26

(6) (17) (use RC 610 on lever, use RC 810 on side) (6) (17) (use RC 610 on lever, use RC 810 on side) (6) (17) (use RC 610 on lever, use RC 810 on side)

(1) AL2 163 043.21 - AL3 163 261.00 - AL4 163 262.01. (2) For assembly of item 12, 1 needed. (3) Use of this accessory requires the user to cut out the partition. For item 20, one screw per point required. (4) These accessories can be used on the lower connection only.