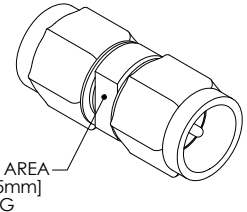
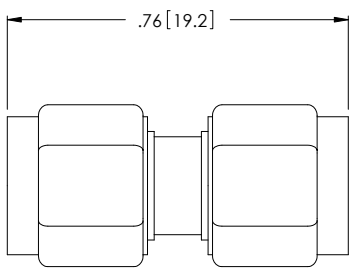
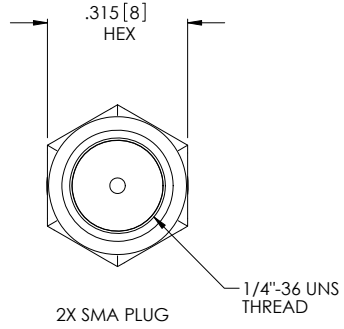


THE INFORMATION CONTAINED IN THIS DRAWING IS THE SOLE PROPERTY OF L-COM, INC. ANY REPRODUCTION IN PART OR WHOLE WITHOUT THE WRITTEN PERMISSION OF L-COM, INC. IS PROHIBITED.

REVISIONS			
REV	DESCRIPTION	DATE	APPROVED
E	ECN 4323: UPDATE DIMENSIONS AND NOTES	10/26/09	D.FRISIELLO

DESCRIPTION	MATERIAL	FINISH
BODY	BRASS	GOLD
SHELL	BRASS	GOLD
CENTER PIN	BRASS	30μ IN GOLD
INSULATOR	PTFE	-



NOTES:

ELECTRICAL:
 IMPEDANCE: 50 OHM
 FREQUENCY RANGE: 0 TO 18 GHz
 VSWR: 1.2 MAX.
 VOLTAGE RATING: 500 VRMS MAX.
 DIELECTRIC WITHSTANDING VOLTAGE: 1000 Vrms MIN.

PACKAGING: COMPONENT SHALL BE INDIVIDUALLY PACKAGED IN ACCORDANCE WITH L-COM SPECIFICATION PS-0031.

ALL DIMENSIONS ARE FOR REFERENCE ONLY.

RoHS Compliant ✓

UNLESS OTHERWISE SPECIFIED, DIMENSIONS ARE IN INCHES [mm] DIMENSIONAL TOLERANCES: .X = ±.1 .XX = ±.03 .XXX = ±.005 ANGULAR TOLERANCES: ALL = ± 1°	APPROVALS	DATE		45 BEECHWOOD DRIVE NORTH ANDOVER, MA 01845	
	DRAWN BY C.MCCORMICK	04/05/2001		CATEGORY	COAXIAL
PROJECTION	CHECKED BY D.PARHAM	06/05/2001	PRODUCT DESCRIPTION		
	APPROVED BY R.CARRICK	06/05/2001	ADAPTOR SMA M/SMA M		
	CONFIGURATION DETAILS OF UNDIMENSIONED FEATURES MAY VARY		SIZE	FSCM NO.	DWG. NO.
	COLOR VARIATIONS MAY OCCUR		A	43321	BA22
	REF		SCALE: NONE	CAD FILE: BA22.SLDDRW	SHEET 1 OF 1