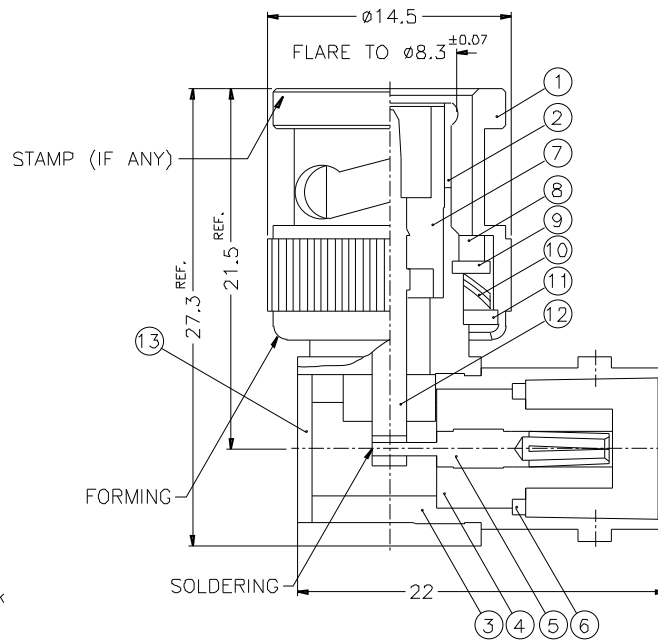


REVISIONS		
ISS	ZONE	DESCRIPTION\PER REQUEST\DATE



NOTES: FINISH (PLATING THICKNESS IN MICRO-INCHES)
 1. BRASS PER QQ-B-626
 2. BRASS PER QQ-B-613
 3. NICKEL PL. 100 MIN. THICK OVER COPPER STRIKE
 4. NICKEL PL. 200 MIN. THICK OVER COPPER STRIKE
 5. PHOSPHOR BRONZE PER QQ-B-750
 6. GOLD PL. 3 MIN. THICK OVER NICKEL PL. 100 MIN. THICK OVER COPPER STRIKE

13	COVER	NOTE 2	NOTE 3	1	CV-895X07-T
12	CONTACT PIN	NOTE 1	NOTE 6	1	B5091-6-50
11	WASHER	NOTE 2	NOTE 3	1	WS-12B/9X08
10	SPRING	SK5	NOTE 4	2	B50000-6
9	RETAINER RING	NOTE 1	NOTE 3	1	B50000-5
8	GASKET	RUBBER	RED	1	GS-115/8X15
7	INSULATOR	DELTRIN	NATURAL	1	B50002-3-50
6	LOCK RING	NOTE 2	NOTE 3	1	B7700-4
5	CONTACT PIN	NOTE 5	NOTE 6	1	B5990-5
4	INSULATOR	DELTRIN	NATURAL	1	B5990-4-50
3	BODY	NOTE 1	NOTE 3	1	B5990-3
2	HOUSING	NOTE 1	NOTE 3	1	B7996-2
1	SHELL	NOTE 1	NOTE 3	1	B50000-1-B
NO.	DESCRIPTION	MATERIAL	FINISH	Q'TY	DRAWING NO

DIMENSIONS ARE IN MILLIMETERS		PART NO.	B5072A1-ND3G-50
UNLESS OTHERWISE SPECIFIED TOLERANCES		APPROVED	DATE
0.5-6	= ±0.2		10-11-01'
6-30	= ±0.4	CHECKED	DATE
30-120	= ±0.6		10-11-01'
120-315	= ±1	DRAWN	DATE
315-1000	= ±1.6		10-11-01'
1000-2000	= ±2.4		
SCALE	3/1	ISSUE	A
FILE NO	DRAWING NO		

Amphenol	
TITLE	BNC MALE TO FEMALE R/A ADAPTOR
DRAWING NO.	KJ-B5072A1-ND3G-50
ITEM NO.	

1	2	3	4	5	6	7	8
---	---	---	---	---	---	---	---