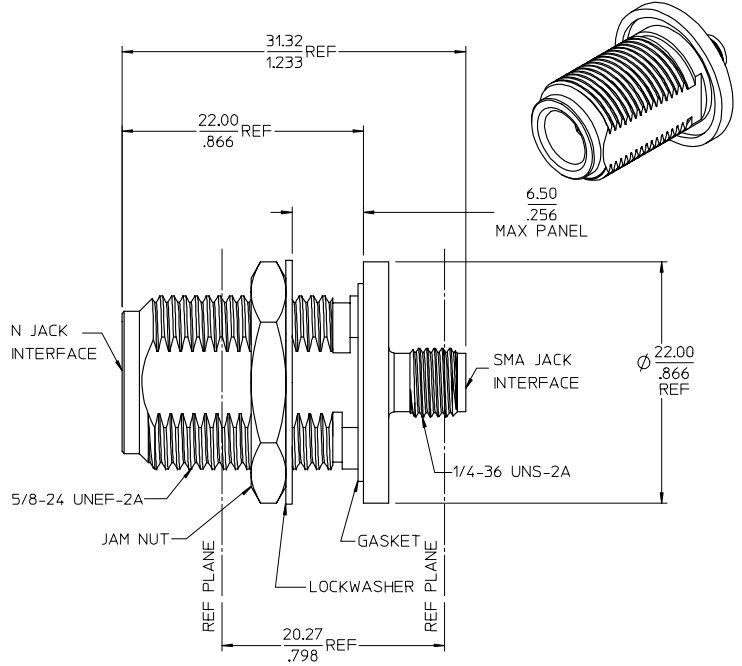
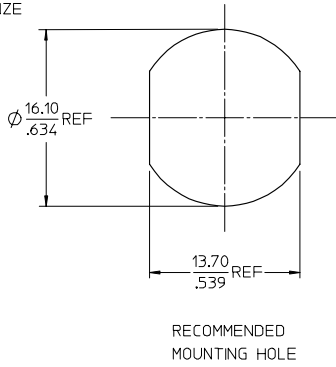


13 12 11 10 9 8 7 6 5 4 3 2 1

MATERIALS AND FINISHES

- J BODY STAINLESS STEEL
PASSIVATED
- I JAM NUT BRASS
PLATED NICKEL
- H CENTER CONTACT BERYLLIUM COPPER
PLATED GOLD
- H INSULATOR TEFLON
- G GASKET SILICONE RUBBER
- G LOCK WASHER PHOSPHOR BRONZE
PLATED NICKEL



MIL-STD-348A, FIG 304-2	N INTERFACE
MIL-STD-348A, FIG 310-2	SMA INTERFACE
PS-89675-2720	ELEC/MECH PERFORMANCE
SPECIFICATION	DESCRIPTION

73386-1091	73386-1090, ONE PER BAG
73386-1090	BULK
PART NO.	PACKAGING

CHG: ADDED P/N 73386-1091	EC NO: URF2007-0287 2007/02/08	DRAWN: FLAHERTY 2007/02/08	CHKD: SPAR 2007/02/08	APPR: JMWENR 2007/02/08	QUALITY SYMBOLS	GENERAL TOLERANCES (UNLESS SPECIFIED)	DIMENSION STYLE MM/IN	SCALE	DESIGN UNITS METRIC	THIRD ANGLE PROJECTION										
					<table border="1"> <tr> <td>4 PLACES</td> <td>±</td> <td>----</td> <td>±</td> <td>----</td> </tr> <tr> <td>3 PLACES</td> <td>±</td> <td>----</td> <td>±</td> <td>----</td> </tr> <tr> <td>2 PLACES</td> <td>±</td> <td>----</td> <td>±</td> <td>----</td> </tr> <tr> <td>1 PLACE</td> <td>±</td> <td>----</td> <td>±</td> <td>----</td> </tr> </table>						4 PLACES	±	----	±	----	3 PLACES	±	----	±	----
4 PLACES	±	----	±	----																
3 PLACES	±	----	±	----																
2 PLACES	±	----	±	----																
1 PLACE	±	----	±	----																
REV: A1					DRAFT WHERE APPLICABLE MUST REMAIN WITHIN DIMENSIONS		MATERIAL NO. SEE TABLE		DOCUMENT NO. SD-73386-109											
					ANGULAR ± 2 °		DRAWN BY: JM DATE: 2005/08/23		TITLE: BSA, N JACK BULKHEAD TO SMA JACK, 50 OHMS EWR-2892, BSA-NJ/SMAJ											
							CHECKED BY: JM DATE: 2005/08/23		MOLEX INCORPORATED											
							APPROVED BY: JMW DATE: 2005/08/23		SHEET NO. 1 OF 1											
							SIZE C		THIS DRAWING CONTAINS INFORMATION THAT IS PROPRIETARY TO MOLEX INCORPORATED AND SHOULD NOT BE USED WITHOUT WRITTEN PERMISSION											

tb_frame_C_P_AM_T Rev. D 2004/06/28

12 11 10 9 8 7 6 5 4 3 2 1