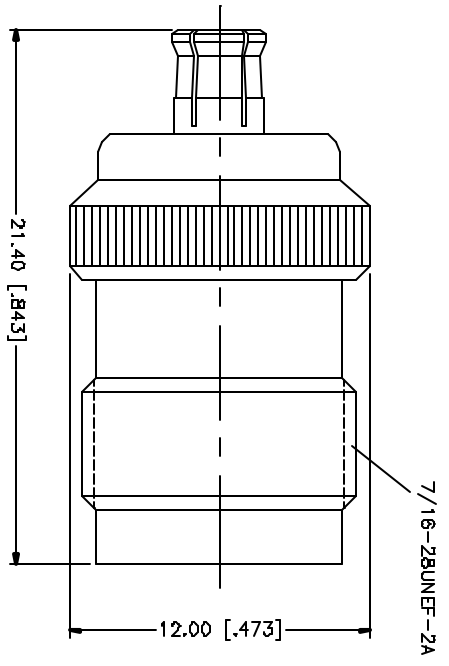


REV.	DATE	DESCRIPTION
NC	06/16/04	UPDATE DRAWING FORMAT



QTY	FINISH	MATERIAL	DESCRIPTION
1	GOLD	PHOS. BRONZE	CONTACT PIN
1	NATURAL	TEFLON	INSULATOR
1	NICKEL	BER. COPPER	BODY

APPROVALS	DATE
DRWN G.R.S.	06/16/04
CHECKED	
ISSUED	
BIKET 1 QF 1	

PART DESCRIPTION	PART NO.	DWG. NO.	REV.	NC	SIZE	A	SCALE	NA
<b>Amphenol Connex</b>	TNC JACK TO MCX PLUG ADAPTER	242209DWG						

UNLESS OTHERWISE SPECIFIED DIMENSIONS ARE IN MILLIMETERS, DIMENSIONS IN [ ] ARE IN INCHES AND FOR DISTANCES REFERENCED ONLY. TOLERANCES FOR MILLIMETERS ARE: 0.5 - 30mm ± 0.20mm 30 - 120mm ± 0.30mm 120mm AND OVER ± 0.50mm DIMENSIONS SPECIFIED IN PARENTHESES ARE FOR INCHES ARE: 0.250 - .315 = ± 0.007" .315 - 1.180 = ± 0.015" 1.180 - 4.724 = ± 0.020"
DO NOT SCALE DRAWINGS