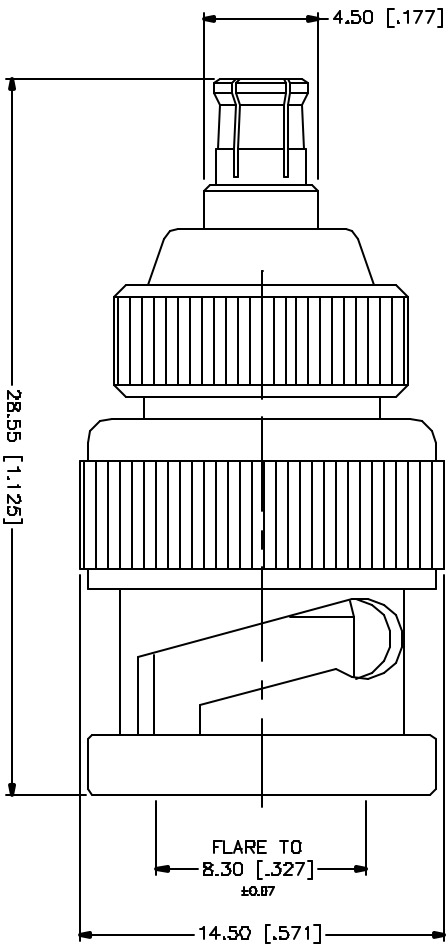


REV.	DATE	DESCRIPTION
NC	06/16/04	UPDATE DRAWING FORMAT



QTY	FINISH	MATERIAL	DESCRIPTION
1	NICKEL	BRASS	BODY
1	NATURAL	TEFLON	INSULATOR
1	GOLD	BERL COPPER	CONTACT PIN

APPROVALS	DATE
DRAWN G.R.S.	06/16/04
CHECKED	
ISSUED	
SHEET 1 OF 1	

UNLESS OTHERWISE SPECIFIED, DIMENSIONS ARE IN INCHES AND FOR DECIMALS, FRACTIONS ARE TO BE USED FOR ALL DIMENSIONS.
UNLESS OTHERWISE SPECIFIED, DIMENSIONS FOR FINISH ARE:
0.03 - 0.010 ± 0.0010
0.06 - 0.030 ± 0.0015
0.09 - 0.060 ± 0.0020
0.12 - 0.090 ± 0.0025
0.15 - 0.120 ± 0.0030
0.18 - 0.150 ± 0.0035
0.25 - 0.200 ± 0.0050
0.375 - 0.300 ± 0.0075
0.500 - 0.400 ± 0.0100
1.000 - 0.800 ± 0.0200
1.180 - 0.950 ± 0.0225
DO NOT SCALE DRAWINGS

APPENHOL CONNEX
PART DESCRIPTION
BNC PLUG TO MCX PLUG ADAPTER
PART NO. 242205
DWG. NO. 242205.DWG
REV. NC
SIZE A
SCALE NA