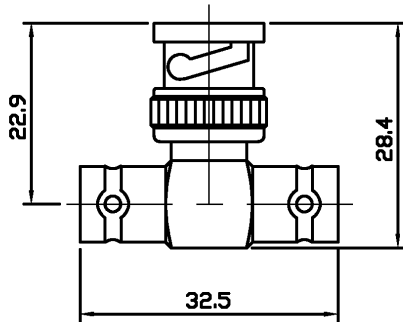


THIS DRAWING IS UNPUBLISHED. RELEASED FOR PUBLICATION 04-09-01 .
 © COPYRIGHT 2001 BY TYCO ELECTRONICS CORPORATION. ALL RIGHTS RESERVED.

LOC	DIST	REVISIONS					
		P	LTR	DESCRIPTION	DATE	DWN	APVD
E	B	A		RELEASE FOR PRODUCTION	04-09-01	RG	FWK



ALL DIMENSIONS ARE NOMINAL.FOR REFERENCE ONLY.

BAG	PACK TYPE	SINGLE ITEM	DESCRIPTION	1-1478039-0	PART NUMBER
-----	-----------	-------------	-------------	-------------	-------------

HANDTOOL PART NUMBER	N/A
FOR USE ON CABLES	N/A
CONNECTOR PLATING DETAIL	SILVER
CONTACT PLATING DETAIL	SILVER
DIELECTRIC MATERIAL	TEFLON
GASKET MATERIAL	WHITE SILICONE RUBBER

THIS DRAWING IS A CONTROLLED DOCUMENT.	
DIMENSIONS: MM	TOLERANCES UNLESS OTHERWISE SPECIFIED:
	0 PLC ±
	1 PLC ±
	2 PLC ±
	3 PLC ±
	4 PLC ±
	ANGLES ±
MATERIAL	FINISH
	-

DWN	R GOODALL	04-09-01
CHK	F.W-KING	04-09-01
APVD	F.W-KING	04-09-01
PRODUCT SPEC	108-3435	
APPLICATION SPEC		
WEIGHT		
CUSTOMER DRAWING		

Tyco Electronics Corporation Stanmore, Middlesex, HA7 4RS			RESTRICTED TO
NAME			
BNC TEE ADAPTOR J-P-J 75 OHM			
SIZE	CAGE CODE	DRAWING NO	
A3	00779	C-1478039	-
SCALE	NTS	SHEET	1 OF 1
REV	A		