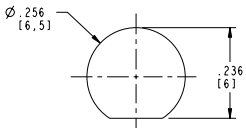
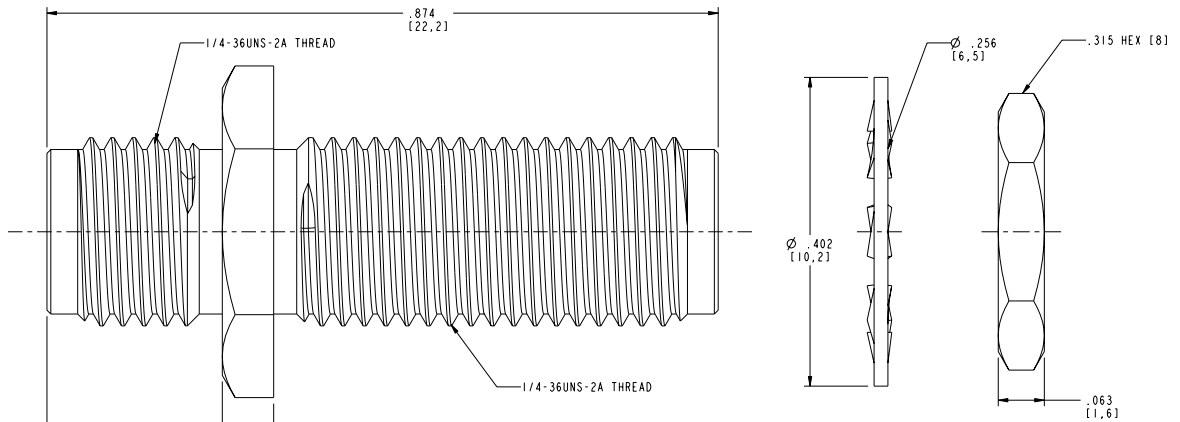


NOTES:

1. MATERIALS OF CONSTRUCTION:
 BODY & HEX NUT= BRASS (ASTM-B16 H02, C36000), NICKEL PLATED (.000100 MIN) OVER COPPER STRIKE
 CONTACT PIN = BeCu (QQ-C-530), GOLD PLATED (.000050 MIN) OVER NICKEL (.000100 MIN)
 LOCK WASHER = BRASS (QQ-B-613), NICKEL PLATED (.000100 MIN) OVER COPPER STRIKE
 INSULATOR = PTFE PER ASTM D 1710 OR EQUIV.
2. ELECTRICAL:
 A. IMPEDANCE: 50 OHM
 B. FREQUENCY RANGE: DC - 12.4 GHz
3. PHYSICAL:
 A. DURABILITY: 500 CYCLES MIN.
 B. TEMPERATURE RANGE: -65° C TO +165° C

901-9986-RFX		REVISIONS			
DRAWING NO.	REV	DESCRIPTION	DATE	ECO	APPR
THIRD ANGLE PROJ.	A	RELEASE TO MFG.	9/2/04	45136	CPM



RECOMMENDED MOUNTING HOLE DIMENSIONS SCALE 4:000

CUSTOMER OUTLINE DRAWING ALL OTHER SHEETS ARE FOR INTERNAL USE ONLY

UNLESS OTHERWISE SPECIFIED, DIMENSIONS ARE IN MM (INCHES) AND TOLERANCES ARE: 0.5 - 6mm ±0.2mm 6 - 30mm ±0.4mm 30 - 120mm ±0.6mm	MATERIAL	DRAWN	DATE	TITLE SMA BULKHEAD FEMALE TO FEMALE ADAPTER	Amphenol Amphenol Corporation Communication and Network Products Division Danbury, CT U.S.A. 06810		
	REFERENCE GEN# 901-9986-RFX	C. McGRATH	8/31/04			ENGINEER O. BARTHELES	8/31/04
NOTICE - These drawings, specifications, or other data (1) are, and remain the property of Amphenol Corp. (2) must be returned upon request; and (3) are confidential and not to be disclosed to any person other than those to whom they are given by Amphenol Corp. The furnishing of these drawings, specifications, or other data by Amphenol Corp., or to any other person for any purpose is not to be regarded by implication or otherwise in any manner licensing, granting rights or permitting such holder or any other person to manufacture, use or sell any product, process or design, patented or otherwise, that may in any way be related to or disclosed by said drawings, specifications, or other data.		APPROVED	DATE		SCALE: 8:0:1 SHEET 2 OF 2		
		T. AUBIN	9/1/04				
		CAD FILE I:\SMA\901-9986-RFX		CODE ID 74868	DWG SIZE B	DRAWING NO. 901-9986-RFX	REV A