

NO	DESCRIPTION	DATE
△	REDUCE SPRING FROM 2 PCS TO 1 PC	08.15.97'
△	PARTS 12:BRASS --- BERYLLIUM COPPER	04.23.02
△	BACKGROUND FORMAT UPDATED	03.01.10'

1.0 ELECTRICAL

- 1.1 FREQUENCY RANGE: DC-4 GHz
- 1.2 NOMINAL IMPEDANCE: 50 OHM
- 1.3 WORKING VOLTAGE: 335 VOLTS MAX.
- 1.4 PROOF VOLTAGE: 1000 VOLTS

2.0 MATERIALS

- 2.1 BODIES: BRASS PER JIS-C3604 BERYLLIUM COPPER PER ASTM B196 UNS C17300
- 2.2 CENTER CONTACT: BERYLLIUM COPPER PER ASTM B196 UNS C17300
- 2.3 INSULATION: TEFLON PER ASTM D1457 AND ASTM D1710

3.0 FINISHES AND OTHERS

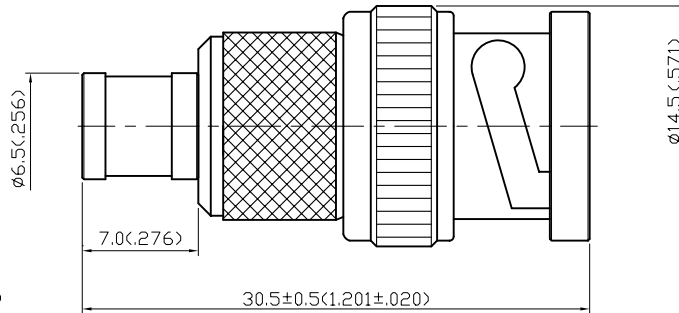
- 3.1 SEE BELOW TABLE FOR DETAILS.

4.0 MECHANICAL

- 4.1 INTERFACE IN ACCORDANCE WITH: MIL-STD-348A

5.0 ENVIRONMENTAL

- 5.1 OPERATING TEMPERATURE RANGE: -20° C TO +80° C



12	CENTER CONTACT	BERYLLIUM COPPER	1	GOLD 30μ" MIN.	△
11	SHELL	BRASS	1	NICKEL 100μ" MIN.	
10	GASKET	RUBBER	1	RED	
9	WASHER	BRASS	1	NICKEL	
8	SPRING WASHER	SK-5	1	NICKEL	△
7	WASHER	BRASS	1	NICKEL	
6	BODY	BRASS	1	NICKEL 100μ" MIN.	
5	INSULATION	TEFLON	1	NONE	
4	INSULATION	TEFLON	1	NONE	
3	CHASSIS	BRASS	1	NICKEL 100μ" MIN.	
2	SHELL	BRASS	1	NICKEL 100μ" MIN.	
1	SPRING	BERYLLIUM COPPER	1	NICKEL	
NO	DESCRIPTION	MATERIAL	Q'TY	FINISH	

APPROVED by _____ DATE: _____

DESCRIPTION		SMB PLUG-BNC PLUG	
製圖	DRAWN <i>Yoko</i>	TOLERANCE	品名 24-20 T.G.N
檢圖	CHECK <i>Jacky</i>	.X ±0.2 .XX ±0.1	ROHS COMPLIANT (50%) DATE 06.25.96 版次 A-3
認定	APPROVAL <i>Lewis</i>	.XXX ±0.05 ANGLE ±5°	UNIT mm(in) DWG.NO. 24-0030
		SCALE 4:1	佳楠精密電子股份有限公司 CHIN NAN PRECISION ELECTRONICS CO.,LTD.