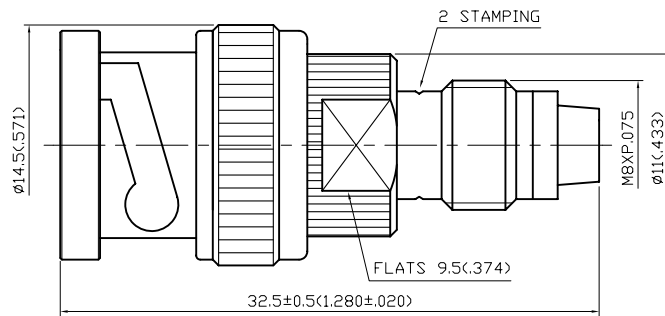


NO	DESCRIPTION	DATE
△1	REDUCE SPRING FROM 2 PCS TO 1 PC	06.06.97
△2	BACKGROUND FORMAT UPDATED	05.02.02
△3	RUBBER → SILICONE BACKGROUND FORMAT UPDATED	07.21.09



1.0 ELECTRICAL

- 1.1 FREQUENCY RANGE: DC-900 MHz
- 1.2 NOMINAL IMPEDANCE: 50 OHM

2.0 MATERIALS

- 2.1 BODIES: BRASS PER JIS-C3604
- 2.2 CENTER CONTACT: BRASS PER JIS-C3604
- 2.3 INSULATION: TEFLON PER ASTM D1457 AND ASTM D1710

3.0 FINISHES AND OTHERS

- 3.1 SEE BELOW TABLE FOR DETAILS.

4.0 ENVIRONMENTAL

- 4.1 OPERATING TEMPERATURE RANGE: -55° C TO +125° C

9	INSULATION II	TEFLON	1	NONE
8	CENTER CONTACT	BRASS	1	GOLD
7	BODY	BRASS	1	NICKEL 100μ" MIN.
6	WASHER	BRASS	1	NICKEL
5	SPRING WASHER	SK-5	1	NICKEL
4	WASHER	BRASS	1	NICKEL
3	GASKET	SILICONE	1	RED
2	INSULATION I	TEFLON	1	NONE
1	SHELL	BRASS	1	NICKEL 100μ" MIN.
NO	DESCRIPTION	MATERIAL	Q'TY	FINISH

APPROVED by _____ DATE: _____

DESCRIPTION		FME JACK - BNC PLUG			
製圖	DRAWN <i>Yoko</i>	TOLERANCE	品名	23-16	T.G.N
檢圖	CHECK <i>Jacky</i>	.X ±0.2 .XX ±0.1	TITLE	ROHS COMPLIANT (50Ω)	日期 07.10.92
認定	APPROVAL <i>Lewis</i>	.XXX ±0.05 ANGLE ±5°	單位	DWG.NO.	23-0048
			SCALE	佳楠精密電子股份有限公司	
			比例	CHIN NAN PRECISION ELECTRONICS CO.,LTD.	

△1

△3