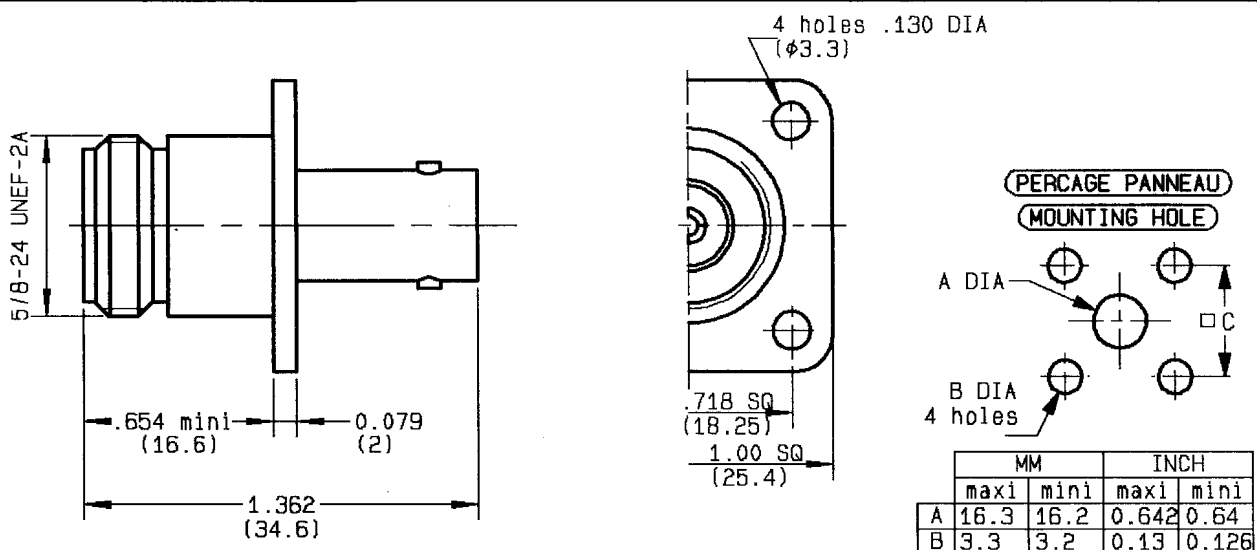


ADAPTOR FEMALE BNC - FEMALE N
FLANGE TYPE



CABLES : -

CHARACTERISTICS

NOMINAL IMPEDANCE	50 Ω
FREQUENCY RANGE	0 - 4 GHz
TEMPERATURE RATING	-65/+165 °C
VSWR	1.30 Maxi
RF INSERTION LOSS	.12 √F(GHz) dB Maxi
VOLTAGE RATING	500 Vrms Max
DIELECTRIC WITHSTANDING VOLTAGE	1500 Vrms min
INSULATION RESISTANCE	5000 MΩ min
HERMETIC SEAL	- cc/s - Atm.cm3/s
LEAKAGE (pressurized only)	- psi - MPa
WEIGHT	0 Oz - g

STANDARDISATION	-
CABLE RETENTION	- 1b min N
CENTER CONTACT RETENTION	
Axial force - mating end	5.95 ²⁷ 1b min N
Axial force - opposite end	5.95 ²⁷ 1b min N
Torque (Min)	NA NA Inch.oz cm.N
RECOMMENDED TORQUES	
Mating	NA NA Inch.lb cm.N
Panel nut	NA NA Inch.lb cm.N
Clamp nut	NA NA Inch.lb cm.N

CONSTRUCTION

CONNECTOR PARTS	MATERIALS	FINISH
BODY	BRASS	NICKEL
OUTER CONTACT	-	-
CENTER CONTACT	BERYLLIUM COPPER	GOLD over NICKEL
INSULATOR	PTFE	-
-	-	-
-	-	-
-	-	-
-	-	-
-	-	-

ISSUE	REVISION No	DESCRIPTION	BY	DATE

Initiated on 19-04-93

Superseded on - - -

The information given here is subject to change without notice. Design changes may be in order to improve the product.

