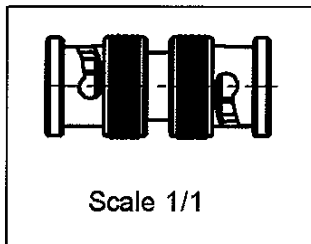
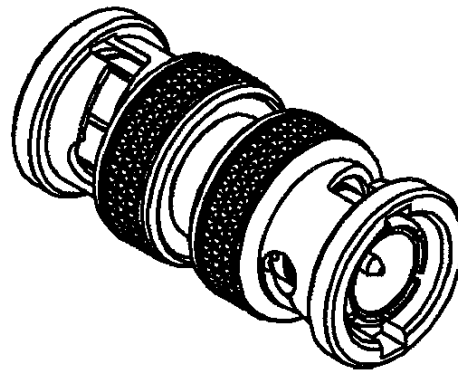
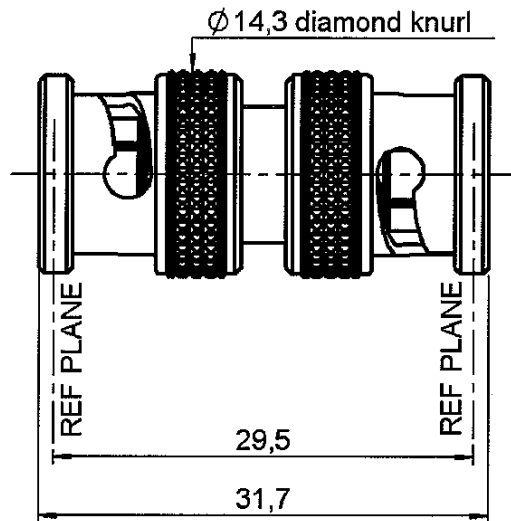


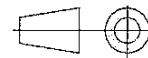
**MALE-MALE ADAPTOR**

**R142.703.000**

Series : **BNC 75**



All dimensions are in mm.



COMPONENTS	MATERIALS	PLATING (µm)
BODY	BRASS	NICKEL 2
CENTER CONTACT	BRASS	GOLD 0.5 OVER NICKEL 2
OUTER CONTACT	-	-
INSULATOR	PTFE	-
GASKET	SILICONE RUBBER	-
OTHERS PARTS	BRASS	NICKEL 2
-	-	-
-	-	-

Issue : 0623 E

In the effort to improve our products, we reserve the right to make changes judged to be necessary.



**MALE-MALE ADAPTOR**

**R142.703.000**

Series : **BNC 75**

**PACKAGING**

Standard	Unit	Other
<b>100</b>	<b>'W' option</b>	<b>Contact us</b>

**SPECIFICATION**

**ELECTRICAL CHARACTERISTICS**

Impedance	<b>75</b> Ω
Frequency	<b>0-1.5</b> GHz
VSWR	<b>1.30 + 0,0000</b> x F(GHz) Maxi
Insertion loss	<b>0.115</b> √F(GHz) dB Maxi
RF leakage	- ( <b>57</b> - F(GHz)) dB Maxi
Voltage rating	<b>500</b> Veff Maxi
Dielectric withstanding voltage	<b>1500</b> Veff mini
Insulation resistance	<b>5000</b> MΩ mini

**ENVIRONMENTAL**

Operating temperature	<b>-65/+165</b> ° C
Hermetic seal	<b>NA</b> Atm.cm3/s
Panel leakage	<b>NA</b>

**OTHER CHARACTERISTICS**

Assembly instruction **NA**

Others :  
-

**MECHANICAL CHARACTERISTICS**

Center contact retention	
Axial force – Mating end	<b>18</b> N mini
Axial force – Opposite end	<b>18</b> N mini
Torque	<b>2.8</b> N.cm mini

Recommended torque	
Mating	<b>NA</b> N.cm
Panel nut	<b>NA</b> N.cm

Mating life	<b>500</b> Cycles mini
Weight	<b>18,0000</b> g

Issue : 0623 E

In the effort to improve our products, we reserve the right to make changes judged to be necessary.



**RADIALL**®