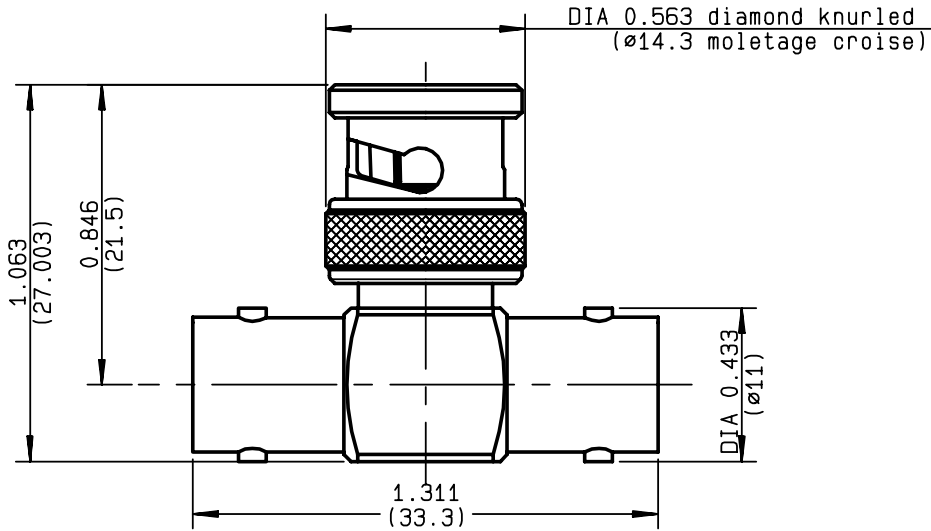


TE FEMALE-FEMALE/MALE ADAPTOR

R141.780.000
SERIES BNC



NOMINAL IMPEDANCE	50 Ω
FREQUENCY RANGE	0-4 GHz
TEMPERATURE RATING	-65/+165 °C
V.S.W.R	NA + x F(GHz)Maxi
RF INSERTION LOSS	0.175 √F(GHz) dB Maxi
VOLTAGE RATING	500 Veff Maxi
DIELECTRIC WITHSTANDING VOLTAGE	1500 Veff Mini
INSULATION RESISTANCE	5000 M ΩMini
HERMETIC SEAL	NA Atm.cm ³ /s
LEAKAGE (pressurized only)	NA
MECHANICAL DURABILITY	500 Cycles
WEIGHT	20 gr
SPECIFICATION	

CABLES :	
OTHERS CHARACTERISTICS	
CABLE RETENTION	NA N Mini
CENTER CONTACT RETENTION	
Axial force - mating end	18 N Mini
Axial force - opposite end	18 N Mini
Torque	2.8 cm.N Mini
RECOMMENDED TORQUES	
Mating	NA cm.N
Panel nut	NA cm.N
Clamp nut	NA cm.N

CONNECTOR PARTS:	MATERIALS	FINISH	(all values are given in micrometers)
BODY	:BRASS	NICKEL 2	
OUTER CONTACT			
CENTER CONTACT	:BERYLLIUM COPPER,BRASS	GOLD 0.5 OVER NICKEL 2	
INSULATOR	:PTFE	-	
GASKET	:SILICONE RUBBER	-	
OTHERS PIECES	:BRASS	NICKEL 2	

TRIQUES

ISSUE 9910H00	CREATION DATE	FILE PART-NUMBER
-------------------------	---------------	------------------



The information given here is subject to change without notice.
 Design changes may be in order to improve the product .

Connect to the future