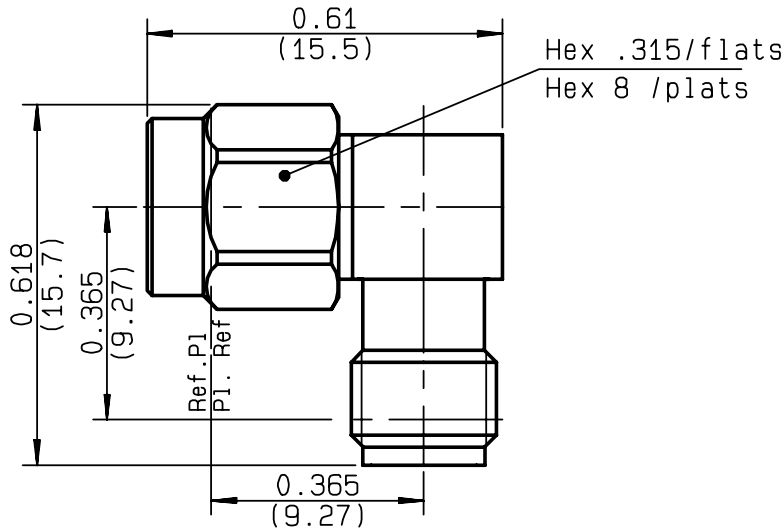


**RIGHT ANGLE MALE - FEMALE ADAPTOR**

**R125.771.000**

**SERIES**

**SMA**



NOMINAL IMPEDANCE	<b>50</b> Ω
FREQUENCY RANGE	<b>0-18</b> GHz
TEMPERATURE RATING	<b>-65/+165</b> °C
V.S.W.R	<b>1.10</b> + <b>.006</b> x F(GHz)Maxi
RF INSERTION LOSS	<b>0.07</b> √F(GHz) dB Maxi
VOLTAGE RATING	<b>500</b> Veff Maxi
DIELECTRIC WITHSTANDING VOLTAGE	<b>1000</b> Veff Mini
INSULATION RESISTANCE	<b>5000</b> M ΩMini
HERMETIC SEAL	<b>NA</b> Atm.cm <sup>3</sup> /s
LEAKAGE (pressurized only)	<b>NA</b>
MECHANICAL DURABILITY	<b>500</b> Cycles
WEIGHT	gr
SPECIFICATION	

CABLES :

OTHERS CHARACTERISTICS

CABLE RETENTION	<b>NA</b>	N Mini
CENTER CONTACT RETENTION		
Axial force - mating end	<b>27</b>	N Mini
Axial force - opposite end	<b>27</b>	N Mini
Torque	<b>NA</b>	cm.N Mini
RECOMMENDED TORQUES		
Mating	<b>110</b>	cm.N
Panel nut	<b>NA</b>	cm.N
Clamp nut	<b>NA</b>	cm.N

CONNECTOR PARTS	MATERIALS	FINISH	(all values are given ) in micrometers
BODY	STAINLESS STEEL	GOLD 0.5 OVER NICKEL 2	
OUTER CONTACT			
CENTER CONTACT	BERYLLIUM COPPER	GOLD 0.5 OVER NICKEL 2	
INSULATOR	PTFE	-	
GASKET	SILICONE RUBBER	-	
OTHERS PIECES	STAINLESS STEEL	GOLD 0.5 OVER NICKEL 2	

AGRIODOS

ISSUE	CREATION DATE	FILE PART-NUMBER
<b>9904Q04</b>	<b>14/03/1991</b>	



**RADIALL®**

The information given here is subject to change without notice.  
Design changes may be in order to improve the product .

*Connect to the future*