

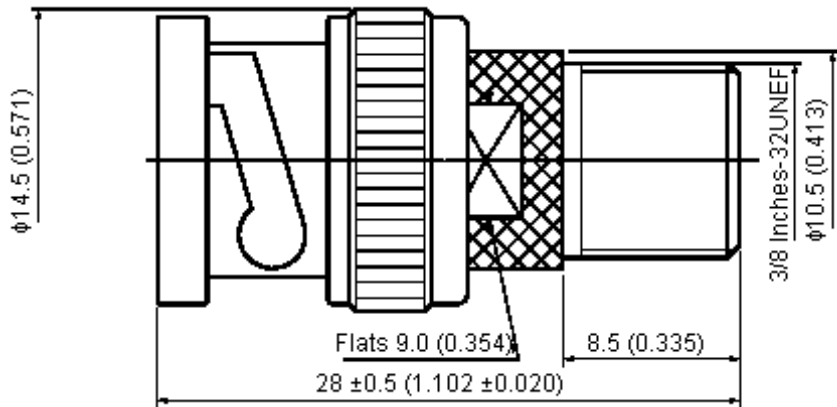


PART NO.

13-47-3 TGZ

REVISIONS

ECN #	REV	DESCRIPTION	DRAWN	DATE	CHECKD	DATE	APPRVD	DATE
-	A	RELEASED	Sidhu	06/07/10	Jagan	06/07/10	Farnell	20/07/10



Dimensions : Millimetres (Inches)

Specifications:

Electrical:

- Frequency range : DC-3 GHz.
- Nominal impedance : 50Ω.
- Maximum working voltage : 500 volts.
- Proof voltage : 1000 volts.
- Maximum VSWR : 1.3.

This data sheet and its contents (the "Information") belong to the Premier Farnell Group (the "Group") or are licensed to it. No licence is granted for the use of it other than for information purposes in connection with the products to which it relates. No licence of any intellectual property rights is granted. The Information is subject to change without notice and replaces all data sheets previously supplied. The Information supplied is believed to be accurate but the Group assumes no responsibility for its accuracy or completeness, any error in or omission from it or for any use made of it. Users of this data sheet should check for themselves the Information and the suitability of the products for their purpose and not make any assumptions based on information included or omitted. Liability for loss or damage resulting from any reliance on the Information or use of it (including liability resulting from negligence or where the Group was aware of the possibility of such loss or damage arising) is excluded. This will not operate to limit or restrict the Group's liability for death or personal injury resulting from its negligence. SPC MULTICOMP is the registered trademark of the Group. © Premier Farnell plc 2010.

TOLERANCES:
UNLESS OTHERWISE SPECIFIED, DIMENSIONS ARE FOR REFERENCE PURPOSES ONLY.

DRAWN BY:	DATE:
Sidhu	06/07/10
CHECKED BY:	DATE:
Jagan	06/07/10
APPROVED BY:	DATE:
Farnell	20/07/10

DRAWING TITLE:			
BNC Plug F - Jack Adapter			
SIZE	DWG NO.	ELECTRONIC FILE	REV
A	M10002449	13-47-3 TGZ_DWG	A
SCALE: NTS		U.O.M.: mm (Inches)	SHEET: 1 OF 2



PART NO.

13-47-3 TGZ

REVISIONS

ECN #	REV	DESCRIPTION	DRAWN	DATE	CHECKED	DATE	APPRVD	DATE
-	A	RELEASED	Sidhu	06/07/10	Jagan	06/07/10	Farnell	20/07/10

Specifications:

Materials:

Bodies : Brass per JIS-C3604.
 Centre contact : Brass per JIS-C3604.
 Insulation : Teflon per ASTM D1457 and ASTM D1710.

Finishes and others:

See below table for details.

Environmental:

Operating temperature range : -40°C to +60°C.

Specification Table

Item	Description	Material	Finish	Part Number
1	Shell	Zinc	Nickel 100µ Inches Minimum	13-47-3 TGZ
2	Insulation	Teflon	None	
3	Gasket	Rubber		
4	Washer	Brass	Nickel 100µ Inches Minimum	
5	Spring Washer	SK-5		
6	Washer	Brass		
7	Body			
8	Centre Contact		Gold	
9	Insulation	Teflon	None	

<http://www.farnell.com>
<http://www.newark.com>
<http://www.cpc.co.uk>

This data sheet and its contents (the "Information") belong to the Premier Farnell Group (the "Group") or are licensed to it. No licence is granted for the use of it other than for information purposes in connection with the products to which it relates. No licence of any intellectual property rights is granted. The Information is subject to change without notice and replaces all data sheets previously supplied. The Information supplied is believed to be accurate but the Group assumes no responsibility for its accuracy or completeness, any error in or omission from it or for any use made of it. Users of this data sheet should check for themselves the Information and the suitability of the products for their purpose and not make any assumptions based on information included or omitted. Liability for loss or damage resulting from any reliance on the Information or use of it (including liability resulting from negligence or where the Group was aware of the possibility of such loss or damage arising) is excluded. This will not operate to limit or restrict the Group's liability for death or personal injury resulting from its negligence. SPC MULTICOMP is the registered trademark of the Group. © Premier Farnell plc 2010.

TOLERANCES:
 UNLESS OTHERWISE SPECIFIED, DIMENSIONS ARE FOR REFERENCE PURPOSES ONLY.

DRAWN BY:	DATE:
Sidhu	06/07/10
CHECKED BY:	DATE:
Jagan	06/07/10
APPROVED BY:	DATE:
Farnell	20/07/10

DRAWING TITLE:			
BNC Plug F - Jack Adapter			
SIZE	DWG NO.	ELECTRONIC FILE	REV
A	M10002449	13-47-3 TGZ_DWG	A
SCALE: NTS		U.O.M.: mm (Inches)	SHEET: 2 OF 2