

4

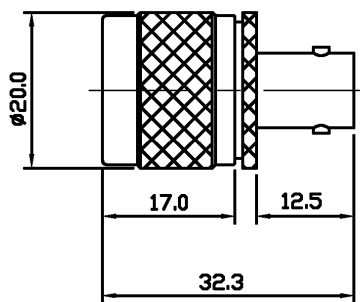
3

2

1

THIS DRAWING IS UNPUBLISHED. RELEASED FOR PUBLICATION
 © COPYRIGHT BY ALL RIGHTS RESERVED.

LOC	DIST	REVISIONS			
P	LTR	DESCRIPTION	DATE	DWN	APVD
B1		REVISED PER ECO-11-005033	5APR11	RK	HMR



ALL DIMENSIONS ARE NOMINAL. FOR REFERENCE ONLY.

DIE SET PART NUMBER	N/A
HANDTOOL PART NUMBER	N/A
FOR USE ON CABLES	N/A
CONNECTOR PLATING DETAIL	NICKEL
CONTACT PLATING DETAIL	GOLD
DIELECTRIC MATERIAL	TEFLON
GASKET MATERIAL	WHITE SILICONE RUBBER

THIS DRAWING IS A CONTROLLED DOCUMENT.

DIMENSIONS:	TOLERANCES UNLESS OTHERWISE SPECIFIED:
MM	
0 PLC	±
1 PLC	±
2 PLC	±
3 PLC	±
4 PLC	±
ANGLES	±

BAG	SINGLE ITEM	1-1337567-0
PACK TYPE	DESCRIPTION	PART NUMBER
TE Connectivity		
INTER-SERIES ADAPTOR N P-BNC J 50 Ohm		
APVD	NAME	RESTRICTED TO
R.GOODALL	R.GOODALL	
07-SEP-00	07-SEP-00	
PRODUCT SPEC	108-3435	
APPLICATION SPEC		
SIZE	CAGE CODE	DRAWING NO
A3	00779	1337567
WEIGHT		
CUSTOMER DRAWING	SCALE	SHEET
	NTS	1 OF 1
		REV B1