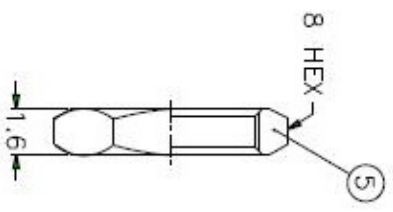
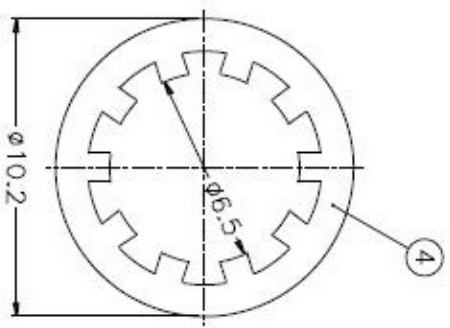
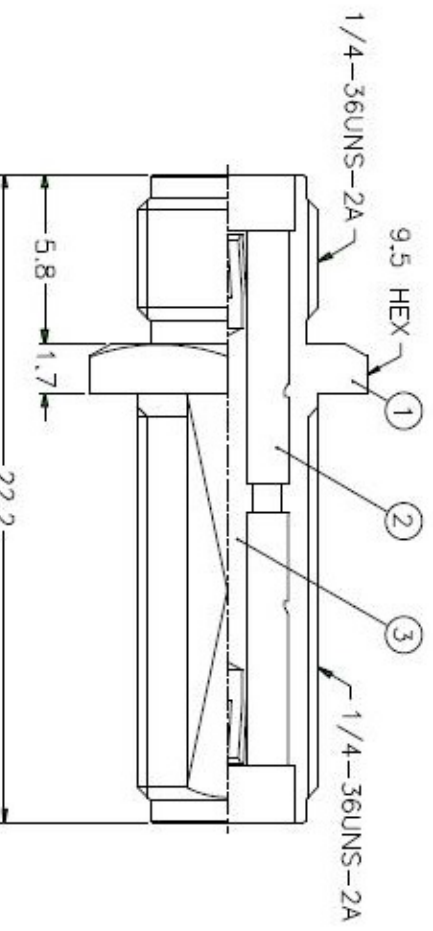
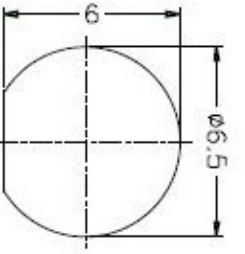


1	2	3	4	5	6	7	8
ISS ZONE		REVISIONS					
		DESCRIPTION\PER REQUEST\DATE					



NOTES: FINISH (PLATING THICKNESS IN MICRO-INCHES)

1. BRASS PER QQ-B-626
2. BRASS PER QQ-B-613
3. GOLD PL. 3 MIN. THICK OVER NICKEL PL. 100 MIN. THICK OVER COPPER STRIKE
4. BERYLLIUM COPPER PER QQ-C-530
5. GOLD PL. 50 MIN. THICK OVER NICKEL PL. 100 MIN. THICK OVER COPPER STRIKE
6. PTFE MIL-P-19468

1. MAX. PANEL THICKNESS=6.4mm

Amphenol

TITLE
SMA BULKHEAD FEMALE TO FEMALE ADAPTOR

DRAWING NO.
KJ-SMA7471B1-3GT50G-50

DIMENSIONS ARE IN MILLIMETERS
UNLESS OTHERWISE SPECIFIED

0.5-6	±0.2
6-30	±0.4
30-120	±0.6
120-315	±1
315-1000	±1.6
1000-2000	±2.4

PART NO. SMA7471B1-3GT50G-50

APPROVED DATE 10-11-01'

CHECKED DATE 10-11-01'

DRAWN DATE 10-11-01'

5	HEX NUT	NOTE 1	NOTE 3	1	HNB-1/4-36X15	SCALE	4/1	ISSUE	A	FILE NO.	ITEM NO.
4	LOCK WASHER	NOTE 2	NOTE 3	1	LW-102/65X05						
3	CONTACT PIN	NOTE 4	NOTE 5	1	SMA7910-3						
2	INSULATOR	NOTE 6	NATURAL	2	SMA7471B1-ZT-50						
1	BODY	NOTE 1	NOTE 3	1	SMA7471B1-1-B						
NO. DESCRIPTION		MATERIAL	FINISH	QTY	DRAWING NO.						
1											

1 2 3 4 5 6 7 8