
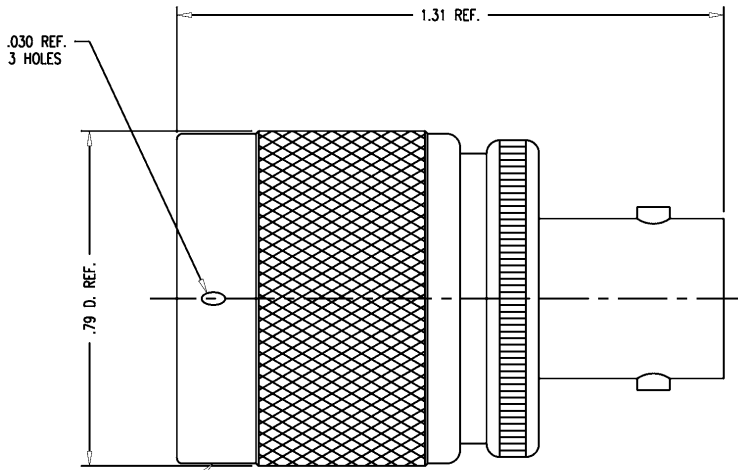


GSD

M55339/20-00201

REVISIONS	
ISSUE	CHANGES
6	CN 36131 C REDRAWN ME 02/28/95
1209-7 QGS0200	
SCALE 4:1	
APPROX SURFACE AREA	
USED ON	
REF:	
ADAPTER, N-BNC, M-F	
DRAWN	ME DATE 02/28/95
DESIGN	TK DATE 03/01/95
APPR.	VLS DATE 04/20/95
 ELECTRONICS CO., INC. TUCKAHOE, NEW YORK 10707	
M55339/20-00201	



STAMP: 91836 M55339/20-00201  
1209-7 XXXX (DATE CODE)

- NOTES:
- INTERFACE PER MIL-STD-348 FIGURES 304-1 AND 301-2.
  - MATERIALS:
    - INSULATOR: TEFLON, ASTM-D-4894
    - GASKET: SILICONE RUBBER, ZZ-R-765
    - CONTACT: BERYLLIUM COPPER, ASTM-B-196
    - C-RING } PHOSPHOR BRONZE, ASTM-B-103
    - OUTER CONTACT } PHOSPHOR BRONZE, ASTM-B-103
    - ALL OTHER PARTS: BRASS, ASTM-B16
  - FINISHES:
    - CONTACT: GOLD PLATE PER MIL-G-45204
    - ALL OTHER METAL PARTS: SILVER PLATE PER QQ-S-365
  - ELECTRICAL CHARACTERISTICS:
    - NOMINAL IMPEDANCE: 50Ω
    - FREQUENCY RANGE: DC-4 GHz
    - VOLTAGE RATING: 500 VOLTS RMS

GSD