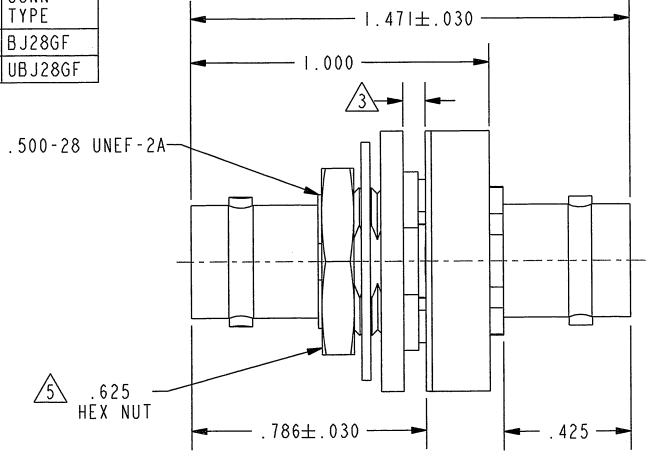


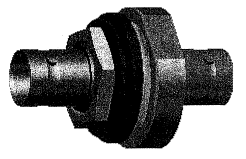
DASH NO	CONN TYPE
-1	BJ28GF
-2	UBJ28GF

DATA CONTAINED IN THIS DOCUMENT IS PROPRIETARY TO TROMPETER ELECTRONICS INC. AND SHALL NOT BE DISCLOSED, COPIED OR USED FOR PROCUREMENT OR MANUFACTURE WITHOUT EXPRESS WRITTEN PERMISSION.

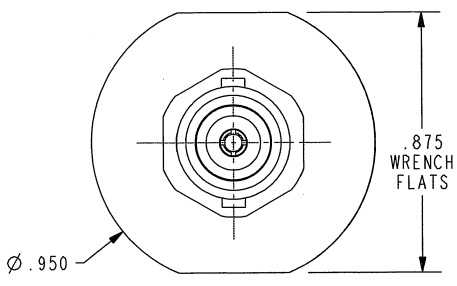
REVISIONS			
REV	DESCRIPTIONS	DATE	APPROVED
D	REVISED PER ECO # 16449	10/1/07	AME



RED INDICATES ORIGINAL



SCALE 1/1



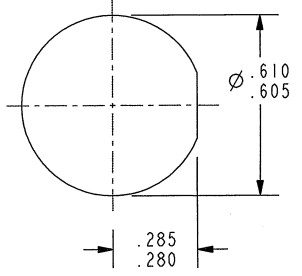
SCALE 2/1

5 TIGHTEN TO 25 INCH-POUNDS MAXIMUM INSTALLATION TORQUE

4. FILTER FUNCTION BETWEEN SHIELD AND CHASSIS:

- (A) VOLTAGE RATING: 200 VDC AT SEA LEVEL AND 25° C
- (B) CAPACITANCE: 4nFD MINIMUM 10nFD MAXIMUM AT 1KHz AND 25° C
- (C) DISSIPATION FACTOR: 5% MAXIMUM AT 1 KHz AND 25° C
- (D) DIELECTRIC WITHSTANDING VOLTAGE: 500 VDC AT SEA LEVEL AND 25° C FOR 1 MINUTE
- (E) INSULATION RESISTANCE: 1 G- OHM MINIMUM AT 200 VDC AND 25° C
- (F) RF INSERTION LOSS (FILTER PERFORMANCE) : WHEN MEASURED PER MIL-STD-220 ON A SWEEP FREQUENCY RESPONSE BASIS (WITH 1/2 AMP DRIVEN CURRENT IN 50 OR 75 OHM) INSERTION LOSS SHALL BE AS FOLLOWS:

FREQUENCY (MHZ)	(ATTENUATION MINIMUM dB AT 25° C)
1	1
3	2
10	8
30	16
100	30
300	30
1000	30



RECOMMENDED PANEL CUTOUT SCALE 2/1

3 MAXIMUM PANEL THICKNESS .094

2. FINISH: TFS-1A (NICKEL)

1. 50 & 75 OHM BNC COAXIAL BULKHEAD MOUNT FEED THRU RECEPTACLE WITH GROUND FILTERING CAPACITOR

NOTES: UNLESS OTHERWISE SPECIFIED.

INTERPRET DRAWING PER MIL-STD-100. DIMENSIONS ARE IN INCHES AND INCLUDE FINISH THICKNESS UNLESS OTHERWISE SPECIFIED.		TOL: UNLESS SPECIFIED. .XX ± .02 .XXX ± .010 ANGLE ± 1°			
DRN J. CARPENTER 08-17-07 CHK Lmg 9/5/07 QUALITY: MANUF: APPROVED ZM 9/5/07 PROJ FILE NO. 1-0484	MATERIAL: FINISH:	TITLE: U/BJ28GF			

REV. D	SCALE 2/1	DATE 6-26-86	SHEET 1C
--------	-----------	--------------	----------