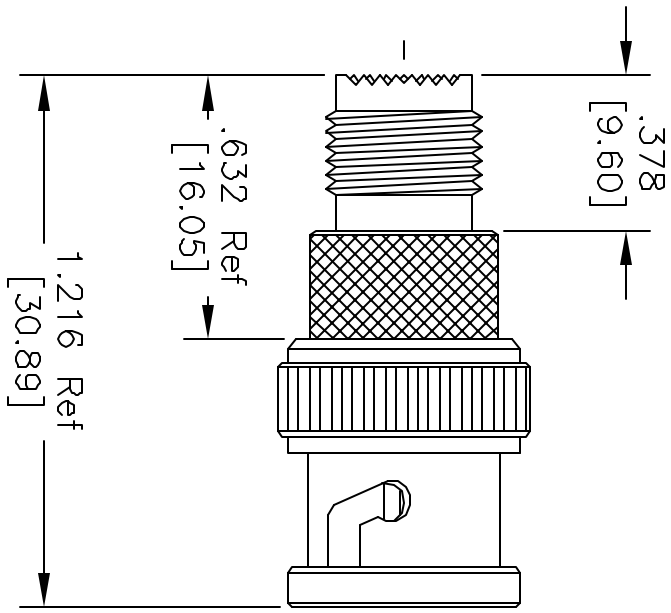


ALL RIGHTS RESERVED. NO PORTION OF THIS PUBLICATION, WHETHER IN WHOLE OR IN PART CAN BE REPRODUCED WITHOUT THE EXPRESS WRITTEN CONSENT OF SPC TECHNOLOGY.



REVISIONS		DOC. NO.	SPC-F005	Effective:	12/21/98	Doc No.	880	
DCP #	REV	DESCRIPTION	DRAWN	DATE	CHECKD	DATE	APPRVD	DATE
823	A	RELEASED	JWM	8/10/00	JC	8/11/00	DJC	8/22/00

**SPECIFICATIONS:**

IMPEDANCE: 50 OHMS  
 WORKING VOLTAGE: 335 VRMS @ SEA LEVEL  
 FREQUENCY RANGE: 0-2.5 GHz  
 INTERFACE PER MIL-STD-348A, SECTION 301.1

ITEM	DESCRIPTION	QTY	MATERIAL	FINISH
8	SHELL	1	BRASS	NICKEL
7	SPRING	1	SK-5	NICKEL
6	WASHER	1	BRASS	NICKEL
5	WASHER	1	BRASS	NICKEL
4	DIELECTRIC	1	TEFLON	NONE
3	DIELECTRIC	1	TEFLON	NONE
2	CONTACT	1	BRASS	GOLD
1	BODY	1	BRASS	NICKEL

**DISCLAIMER**  
 ALL STATEMENTS AND TECHNICAL INFORMATION CONTAINED HEREIN ARE BASED UPON INFORMATION AND/OR TESTS WE BELIEVE TO BE ACCURATE AND RELIABLE. SINCE CONDITIONS OF USE ARE NOT WITHIN OUR CONTROL, THE USER SHALL DETERMINE THE SUITABILITY OF THE PRODUCT FOR THE INTENDED USE AND ASSUME ALL RISK AND LIABILITY WHATSOEVER IN CONNECTION THEREWITH.



UNLESS OTHERWISE SPECIFIED, DIMENSIONS ARE FOR REFERENCE PURPOSES ONLY.

DRAWN BY: Jeff McVicker DATE: 8/10/00  
 CHECKED BY: JOHN COLE DATE: 8/11/00  
 APPROVED BY: Daniel Carey DATE: 8/22/00

DRAWING TITLE: Mini UHF Female to BNC Male Adapter

SIZE DWG. NO. SPC4349 ELECTRONIC FILE 84N1273.dwg REV A

SCALE: NTS U.O.M.: INCHES [mm] SHEET: 1 OF 1