



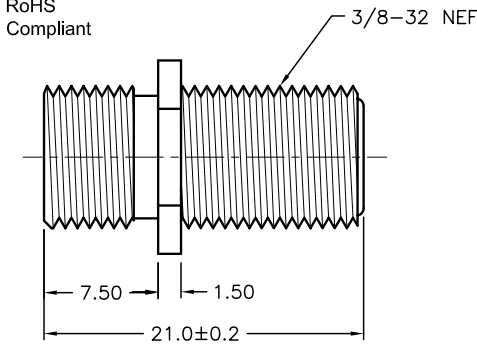
ALL RIGHTS RESERVED. NO PORTION OF THIS PUBLICATION, WHETHER IN WHOLE OR IN PART CAN BE REPRODUCED WITHOUT THE EXPRESS WRITTEN CONSENT OF SPC TECHNOLOGY.

SPC-F005.DWG

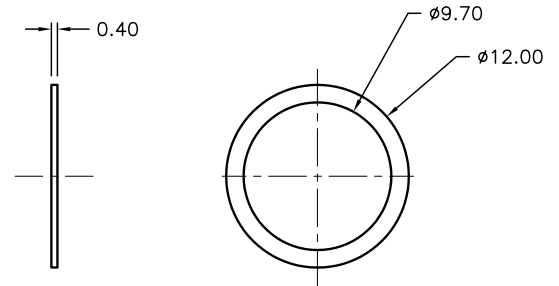
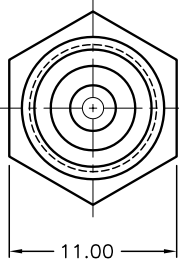
REVISIONS

DOC. NO. SPC-F005 * Effective: 7/8/02 * DCP No: 1398

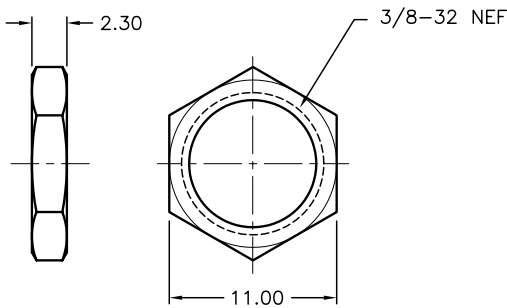
DCP #	REV	DESCRIPTION	DRAWN	DATE	CHECKD	DATE	APPRVD	DATE
1876	A	RELEASED	EO	05/23/06	TL	06/07/06	HO	06/07/06



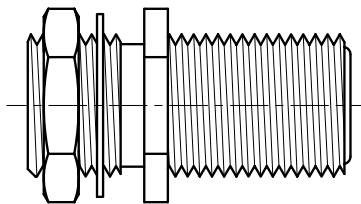
BODY



FLAT WASHER



NUT



ASSEMBLY

SPECIFICATION:

1. BODY: BRASS, NICKEL-PLATED
2. CONTACT: BRASS, NICKEL-PLATED
3. INSULATOR: PP
4. FLAT WASHER: STEEL, NICKEL-PLATED
5. NUT: BRASS, NICKEL-PLATED

ELECTRICAL SPECIFICATION:

- VOLTAGE RATING: AC 150V
- WITH STANDING VOLTAGE: AC 500V ONE MINUTE
- INSULATION RESISTANCE: 500MΩ MIN AT DC 500V
- CONTACT RESISTANCE: MAX 5mΩ AT DC 1A
- IMPEDANCE: 75Ω NOMINAL
- VSWR: 1.35MAX. 0-800 MHZ

DISCLAIMER:
ALL STATEMENTS AND TECHNICAL INFORMATION CONTAINED HEREIN ARE BASED UPON INFORMATION AND/OR TESTS WE BELIEVE TO BE ACCURATE AND RELIABLE. SINCE CONDITIONS OF USE ARE BEYOND OUR CONTROL, THE USER SHALL DETERMINE THE SUITABILITY OF THE PRODUCT FOR THE INTENDED USE AND ASSUME ALL RISK AND LIABILITY WHATSOEVER IN CONNECTION THEREWITH.

TOLERANCES:

Unless Otherwise Specified
.X ±0.2 [0.008]
.XX ±0.12 [0.005]

DRAWN BY:	DATE:
EKLAS ODISH	05/23/06
CHECKED BY:	DATE:
THOMAS LEE	06/07/06
APPROVED BY:	DATE:
HISHAM ODISH	06/07/06

DRAWING TITLE:

"F" FEMALE SPLICE, RoHS COMPLIANT

SIZE	DWG. NO.	ELECTRONIC FILE	REV
A	SPC15365	79K4951.DWG	A
SCALE: NTS	U.O.M.: mm [INCHES]	SHEET: 1 OF 1	