



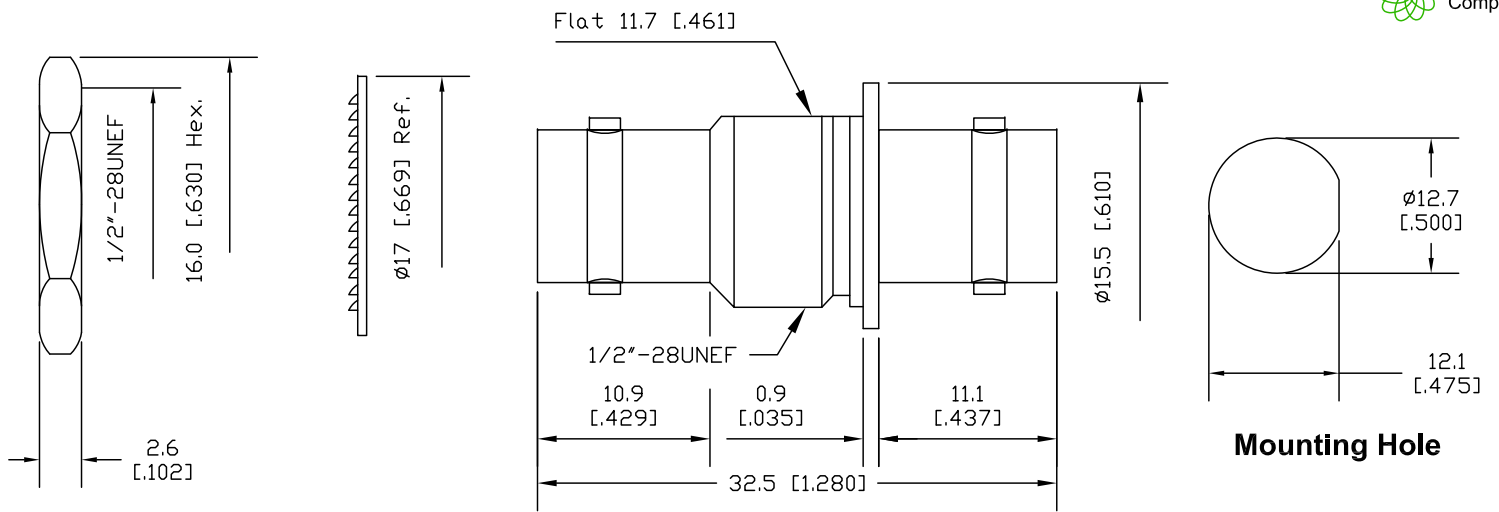
ALL RIGHTS RESERVED. NO PORTION OF THIS PUBLICATION, WHETHER IN WHOLE OR IN PART, CAN BE REPRODUCED WITHOUT THE EXPRESS WRITTEN CONSENT OF SPC TECHNOLOGY.

SPC-F005.DWG

REVISIONS

DOC. NO. SPC-F005 * Effective: 7/8/02 * DCP No: 1398

DCP #	REV	DESCRIPTION	DRAWN	DATE	CHECKD	DATE	APPRVD	DATE
1939	A	Released	JN	08-20-09	JWM	08-20-09	JWM	08-20-09



ELECTRICAL

- Frequency Range: DC-4 GHz
- Nominal Impedance: 50 Ohm
- Working Voltage: 500 Volts Max.
- Proof Voltage: 1500 Volts
- VSWR: 1.3 Max. @4 GHz

MECHANICAL

- Interface in accordance with: MIL-STD-348A

ENVIRONMENTAL

- Operating Temperature Range: -65°C to +165°C

DESCRIPTION	MATERIAL	Q'TY	FINISH
Insulation	Teflon	2	None
Center Contact	Brass	1	Gold
Body	Brass	1	Nickel 100 μ" Min.
Washer	Brass	1	Nickel 100 μ" Min.
Washer	Iron	1	Nickel 100 μ" Min.
Nut	Brass	1	Nickel 100 μ" Min.

MATERIALS

- Bodies: Brass PER JIS-C3604
- Center Contact: Brass PER JIS-C3604
- Insulation: Teflon PER ASTM D1457 and ASTM D1710

DISCLAIMER: ALL STATEMENTS AND TECHNICAL INFORMATION CONTAINED HEREIN ARE BASED UPON INFORMATION AND/OR TESTS WE BELIEVE TO BE ACCURATE AND RELIABLE. SINCE CONDITIONS OF USE ARE BEYOND OUR CONTROL, THE USER SHALL DETERMINE THE SUITABILITY OF THE PRODUCT FOR THE INTENDED USE AND ASSUME ALL RISK AND LIABILITY WHATSOEVER IN CONNECTION THEREWITH.

TOLERANCES:

UNLESS OTHERWISE SPECIFIED, DIMENSIONS ARE FOR REFERENCE PURPOSES ONLY.

DRAWN BY:	DATE:
Jason Nash	08-20-09
CHECKED BY:	DATE:
Jeff McVicker	08-20-09
APPROVED BY:	DATE:
Jeff McVicker	08-20-09

DRAWING TITLE:

BNC Bulkhead Jack to Jack Adapter

SIZE	DWG. NO.	ELECTRONIC FILE	REV
A	MC23561	96M8846.dwg	A

SCALE: NTS U.O.M.: INCHES [mm] SHEET: 1 OF 1