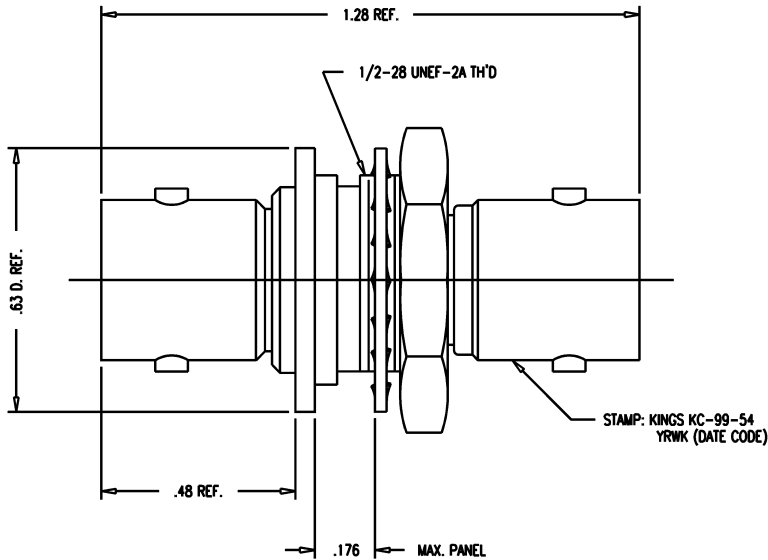
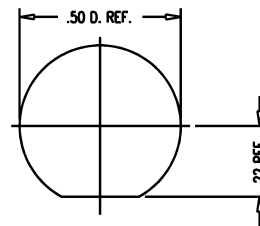
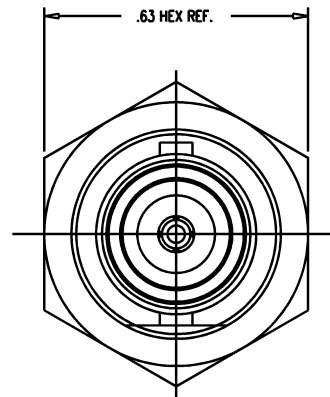


DASH NO.	M CODE	MADE FROM
----------	--------	-----------



- NOTES:
- INTERFACES PER MIL-STD-348, FIG. 301-2.
 - MATERIALS:
INSULATORS-TEFLON, ASTM-D-4894
CENTER CONTACT-BER. COP., ASTM-B-196
ALL OTHER METAL PARTS-BRASS, ASTM-B16
 - FINISHES:
CENTER CONTACT: SILVER PLATE PER QQ-S-365
ALL OTHER METAL PARTS-KINGS TARNISH RESISTANT NICKEL FINISH (TR-5)
 - ELECTRICAL CHARACTERISTICS:
NOMINAL IMPEDANCE-50 OHMS
WORKING VOLTAGE-500 VRMS
FREQUENCY RANGE-DC TO 4 GHz



MOUNTING HOLE

GSD

KC-99-54

REVISIONS	
ISSUE	CHANGES
9	CN 36716 C REDRAWN KH 12/06/95
10	CN 37888 B GEH 09/02/99
11	CN 38558 E TML 05/21/02

SCALE 4:1
APPROX SURFACE AREA
USED ON
REF:
ADAPTER, F-F, BULKHEAD ISOLATED GROUND, BNC-BNC
DRAWN VLS DWT/16/95
DESIGN VLS DWT/16/95
APPR. VLS DWT/16/95

KINGS
ELECTRONICS CO., INC.
ROCK HILL, SOUTH CAROLINA 29730
KC-99-54

GSD

UNLESS OTHERWISE SPECIFIED	2. REMOVE ALL BURRS, BREAK SHARP EDGES .005 MAX.	7. ALL LEAD THREADS TO BE CHAMFERED 45° TO ROOT DIAMETER. *CRITICAL DIMENSIONS
1. TOLERANCES: FRACTIONS & 2 PLACE DECIMALS \pm .010	3. NO FILLETS PERMITTED.	
3 PLACE DECIMALS \pm .004 ANGLES \pm 1°	4. SURFACE ROUGHNESS 63 MICRONS RMS MAX.	
CONCENTRICITY OF ANY 2 DIAMETERS MAY NOT EXCEED HALF THE SUM OF THEIR TOLERANCES.	5. ALL DIMENSIONS PRIOR TO PLATING.	
	6. ALL PLATING IN ACCORDANCE WITH KER 10004.	