

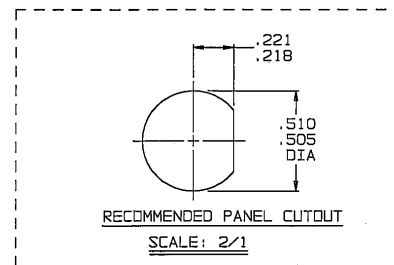
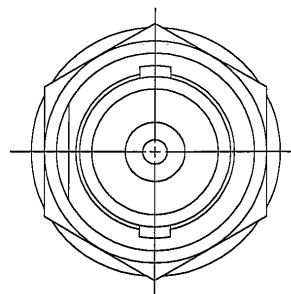
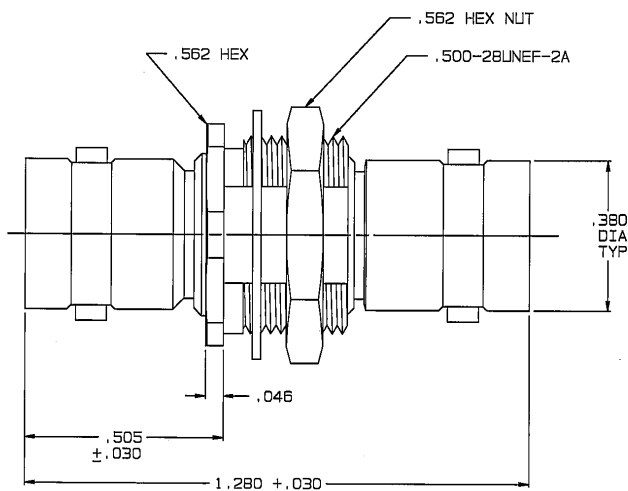
RED INDICATES ORIGINAL

DATA CONTAINED IN THIS DOCUMENT IS PROPRIETARY TO TROMPETER ELECTRONICS, INC. AND SHALL NOT BE DISCLOSED, COPIED OR USED FOR PROCUREMENT OR MANUFACTURE WITHOUT EXPRESS WRITTEN PERMISSION.

REV		ED	DESCRIPTION	DWN	APPROVED	DATE
T	13282		CHANGED NOTE 3 ON SHEET 2: 8 IN/LB TORQUE WAS 12 IN/LB TORQUE; SEE ECO	DKC	<i>[Signature]</i>	3/7/60

DASH NO	MODEL NO	IMPD OHMS
-1	BJ2B	50
-2	UBJ2B	75

INCH	MM
.005	0.13
.030	0.76
.046	1.17
.156	3.96
.218	5.54
.221	5.61
.380	9.65
.505	12.83
.510	12.95
.562	14.27
1.280	32.51



4. SOCKET CONTACT COAXIAL BNC TYPE INSULATED FEED THRU BULKHEAD JACK, 50 AND 75 OHM VERSIONS

3. MAX PANEL THK .156

2. FINISH: TFS-1A, (NICKEL)

1. ALL DIM ARE IN INCHES

QTY	DESCRIPTION	PART NUMBER	ITEM
105-1043	TOL UNLESS SPECIFIED .XX ± .XXX ± .005 .XXXX ± ANGLES	TROMPETER ELECTRONICS, INC.	BJ2B/UBJ2B
155-0574	DWN DKC 2-29-00	MATERIAL	CODE IDENT
155-0538	CHK <i>[Signature]</i> 3-7-60	14949	DRAWING NO. 1-0133
155-0512	ENGR	SCALE 4/1	DATE 9/15/66
NEXT ASSY	APPR <i>[Signature]</i> 3-7-60		SHEET 1C