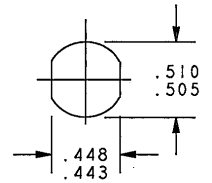
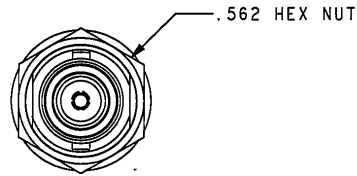
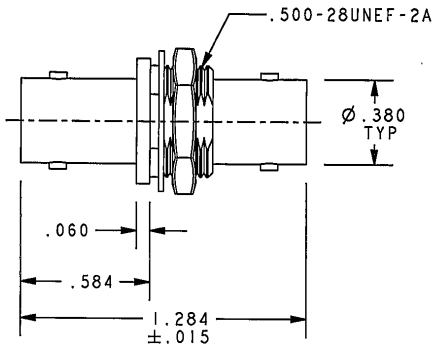
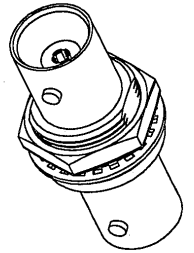


INCH	MM	DASH NO	MODEL NO	IMPD OHMS
.005	0.13			
.015	0.38	-1	BJ224	50
.060	1.52	-2	UBJ224	75
.156	3.97			
.380	9.65			
.443	11.25			
.448	11.38			
.505	12.83			
.510	12.95			
.562	14.27			
.584	14.83			
1.284	32.61			

DATA CONTAINED IN THIS DOCUMENT IS PROPRIETARY TO TROMPETER ELECTRONICS INC. AND SHALL NOT BE DISCLOSED, COPIED OR USED FOR PROCUREMENT OR MANUFACTURE WITHOUT EXPRESS WRITTEN PERMISSION.

REVISIONS			
REV	DESCRIPTIONS	DATE	APPROVED
A	PRODUCTION RELEASE	10/11/00	

RED INDICATES ORIGINAL



SCALE: 1/1
RECOMMENDED PANEL CUTOUT

- SOCKET CONTACT COAXIAL BNC TYPE NON-INSULATED FEED THRU BULKHEAD JACK, 50 AND 75 OHM VERSIONS
- MAX PANEL THK: .156
- FINISH: TFS-1A, (NICKEL)
- ALL DIM ARE IN INCHES

NOTES: UNLESS OTHERWISE SPECIFIED.

INTERPRET DRAWING PER MIL-STD-100. DIMENSIONS ARE IN INCHES AND INCLUDE FINISH THICKNESS UNLESS OTHERWISE SPECIFIED.		TOL: UNLESS SPECIFIED. .XX ± .02 .XXX ± .010 ANGLE ± 1°			
MATERIAL:		TITLE: BJ224/UBJ224			
DRW R L	10/11/00	SIZE A	CAGE CODE 14949	DRAWING NO. 1-0590	REV. A
CHR NA	10/12/00	SCALE 2/1	DATE 10/13/00	SHEET 1C	
APPROVED [Signature]		NEXT ASSY	CAD FILE NO 1-0590	DO NOT SCALE DWG	