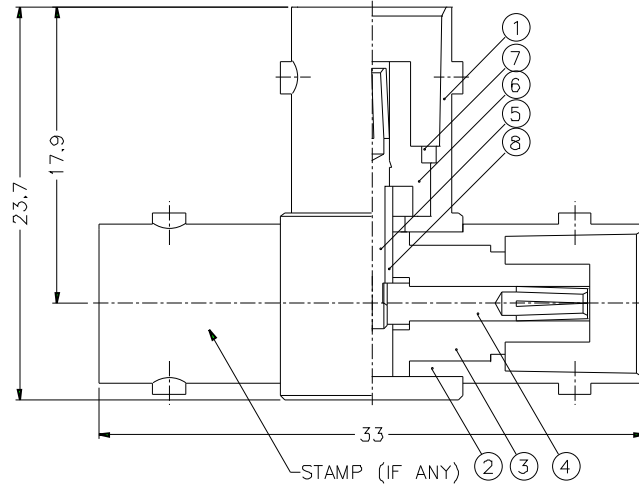


| REVISIONS |      |                              |
|-----------|------|------------------------------|
| ISS       | ZONE | DESCRIPTION\PER REQUEST\DATE |
|           |      |                              |



NOTES: FINISH (PLATING THICKNESS IN MICRO-INCHES)  
 1. BRASS PER QQ-B-626  
 2. BRASS PER QQ-B-613  
 3. PHOSPHOR BRONZE PER QQ-B-750  
 4. NICKEL PL. 100 MIN. THICK OVER COPPER STRIKE  
 5. GOLD PL. 3 MIN. THICK OVER NICKEL PL. 100 MIN. THICK OVER COPPER STRIKE

| NO.  | DESCRIPTION | MATERIAL | FINISH  | QTY | DRAWING NO.  | SCALE  | 3/1 | ISSUE | A | FILE NO.       |
|--|-------------|----------|---------|-----|--------------|--|-----|-------|---|----------------|
| 8  | SLEEVE      | DELRIN   | NATURAL | 1   | SL-25/17X6   | DIMENSIONS ARE IN MILLIMETERS<br>UNLESS OTHERWISE SPECIFIED<br>TOLERANCES<br>0.5-6 = ±0.2<br>6-30 = ±0.4<br>30-120 = ±0.6<br>120-315 = ±1<br>315-1000 = ±1.6<br>1000-2000 = ±2.4 |     |       |   |                |
| 7  | LOCK RING   | NOTE 2   | NOTE 4  | 1   | B7700-4      |  |     |       |   |                |
| 6  | INSULATOR   | DELRIN   | NATURAL | 1   | B8073A1-6-50 |  |     |       |   |                |
| 5  | CONTACT PIN | NOTE 3   | NOTE 5  | 1   | B8073A1-5    |  |     |       |   |                |
| 4  | CONTACT PIN | NOTE 3   | NOTE 5  | 1   | B7996-5      |  |     |       |   |                |
| 3  | INSULATOR   | DELRIN   | NATURAL | 2   | B9073A1-4-50 |  |     |       |   |                |
| 2  | BODY        | NOTE 1   | NOTE 4  | 2   | B9073A1-3    |  |     |       |   |                |
| 1  | HOUSING     | NOTE 1   | NOTE 4  | 1   | B7995-1      |  |     |       |   |                |
| PART NO. B8073A1-ND3G-50                   |             |          |         |     |              |  |     |       |   |                |
| APPROVED                                   |             |          |         |     |              |  |     |       |   | DATE 10-11-01' |
| CHECKED                                    |             |          |         |     |              |  |     |       |   | DATE 10-11-01' |
| DRAWN                                      |             |          |         |     |              |  |     |       |   | DATE 10-11-01' |
| <b>Amphenol</b>                            |             |          |         |     |              |  |     |       |   |                |
| TITLE BNC "T" ADAPTOR JACK TO JACK TO JACK |             |          |         |     |              |  |     |       |   |                |
| DRAWING NO. KJ-B8073A1-ND3G-50             |             |          |         |     |              |  |     |       |   |                |
| ITEM NO.                                   |             |          |         |     |              |  |     |       |   |                |