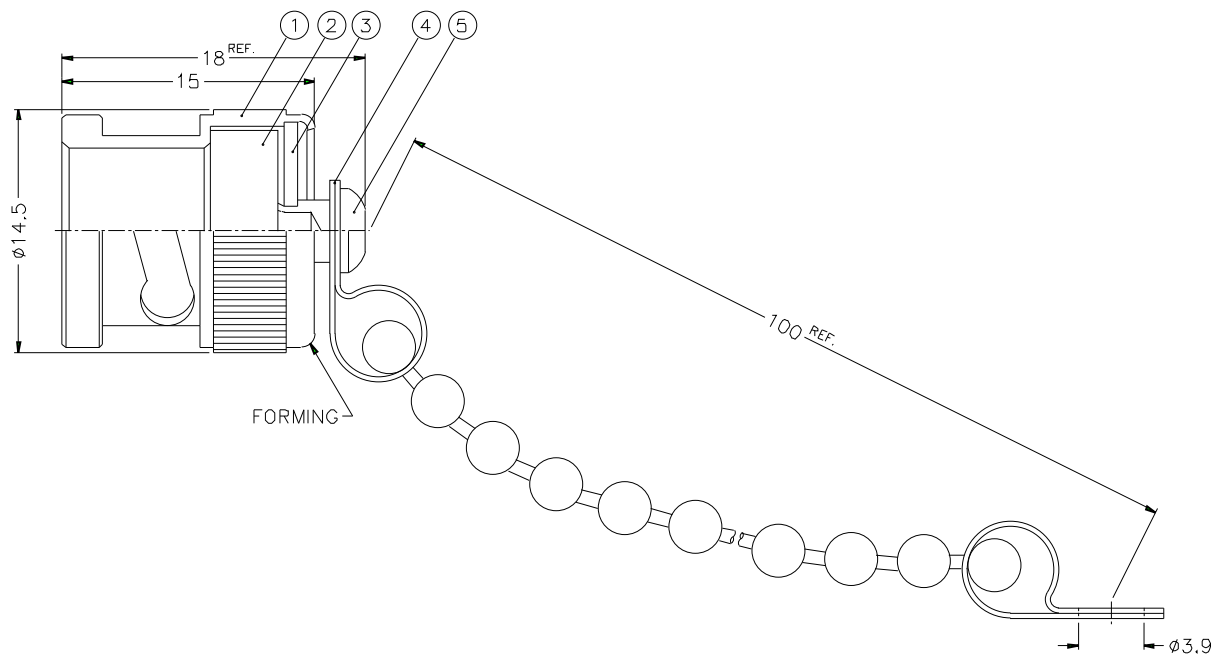


REVISIONS		
ISS	ZONE	DESCRIPTION\PER REQUEST\DATE



NOTES: 1. BRASS PER QQ-B-626
 2. BRASS PER QQ-B-613
 3. NICKEL PL. 100 MIN. THICK OVER COPPER STRIKE

DIMENSIONS ARE IN MILLIMETERS		PART NO. B1005A1-N	
UNLESS OTHERWISE SPECIFIED TOLERANCES		APPROVED	DATE
0.5-6	= ±0.2		10-11-01'
6-30	= ±0.4	CHECKED	DATE
30-120	= ±0.6		10-11-01'
120-315	= ±1	DRAWN	DATE
315-1000	= ±1.6		10-11-01'
1000-2000	= ±2.4		
SCALE	3/1	ISSUE	A
FILE NO.			

Amphenol	
TITLE	BNC MALE CAP WITH CHAIN
DRAWING NO.	KJ-B1005A1-N
ITEM NO.	

NO.	DESCRIPTION	MATERIAL	FINISH	Q'TY	DRAWING NO.
5	RIVET			1	B500-5
4	CHAIN			1	B500-4X100
3	WASHER			1	WS-128/31X08
2	GASKET	SILICONE	RED	1	GS-12X4
1	SHELL			1	B50000-1-B

1	2	3	4	5	6	7	8
---	---	---	---	---	---	---	---