

THIRD ANGLE PROJ. 

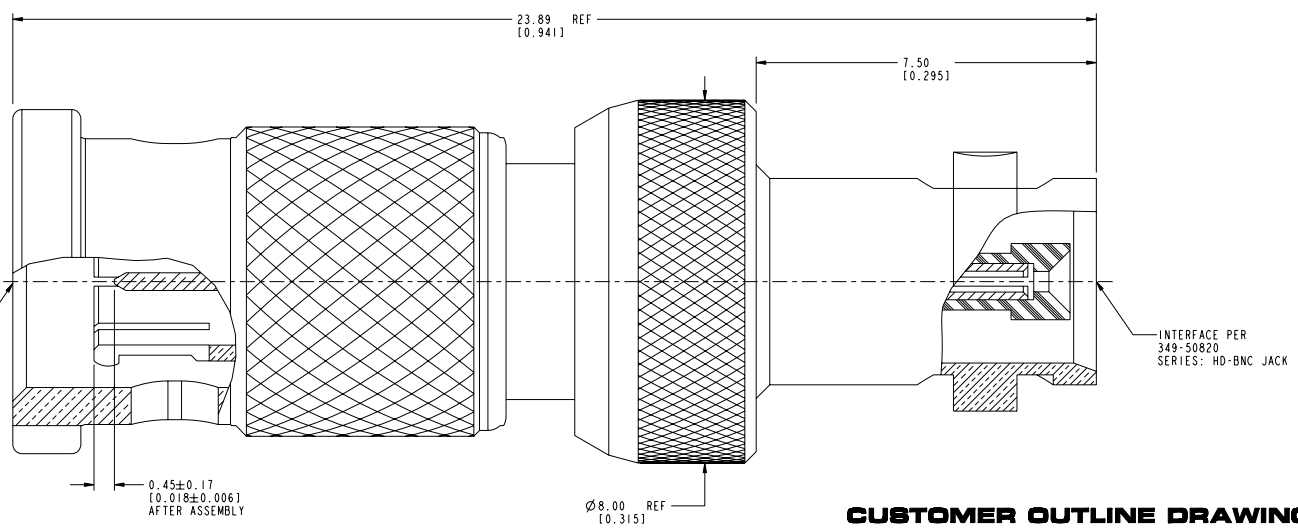
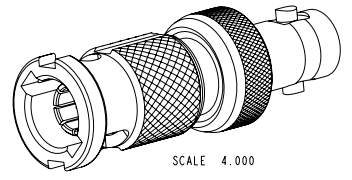
NOTES:  
 1. MATERIALS AND FINISHES:  
 BODY - BRASS, NICKEL PLATING  
 OUTER CONTACT - BERYLLIUM COPPER, NICKEL PLATING  
 CONTACT - BERYLLIUM COPPER, GOLD PLATING  
 INSULATOR - PTFE

REVISIONS				
REV	DESCRIPTION	DATE	ECO	APPR
A	RELEASE TO MFG.	19-Oct-10	48166	BM

2. ELECTRICAL:  
 A. IMPEDANCE: 75 OHM  
 B. FREQUENCY RANGE: DC - 4 GHz  
 C. RETURN LOSS : 30 dB MIN @ 3 GHz

3. MECHANICAL:  
 A. DURABILITY: 500 CYCLES MIN.  
 B. TEMPERATURE RANGE: -65° C TO +165° C

4. PACKAGING:  
 A. QUANTITY: SINGLE PACK  
 B. MARKING: BAG TO BE MARKED  
 "AMPHENOLRF, APH-HDBNCP-J, AND DATE CODE"



**CUSTOMER OUTLINE DRAWING**  
 ALL OTHER SHEETS ARE FOR INTERNAL USE ONLY

UNLESS OTHERWISE SPECIFIED, DIMENSIONS ARE IN METRIC AND TOLERANCES ARE: <0.5mm ±0.05mm    0.5 - 6mm ±0.1mm    6 - 30mm ±0.2mm    30 - 120mm ±0.3mm    ANGLES ±°	MATERIAL	DRAWN	DATE	TITLE ADAPTOR, 75 OHM HD-BNC PLUG TO JACK	Amphenol RF Danbury CT USA, Tainan, Taiwan, Shenzhen, China www.amphenolrf.com
	SEE NOTES	S. LI	19-Oct-10		
NOTICE: These drawings, specifications, or other data (1) are, and remain the property of Amphenol Corp. (2) must be returned upon request; and (3) are confidential and not to be disclosed to any person other than those to whom they are given by Amphenol Corp. The furnishing of these drawings, specifications, or other data by Amphenol Corp., or to any other person to anyone for any purpose is not to be regarded by implication or otherwise in any manner licensing, granting rights to permitting such holder or any other person to manufacture, use or sell any product, process or design, patented or otherwise, that may in any way be related to or disclosed by said drawings, specifications, or other data.	REFERENCE	APPROVED	DATE	SCALE: 12.0:1.0 SHEET 2 OF 2	DRAWING NO. APH-HDBNCP-J ITEM NO. APH-HDBNCP-J PART NO. APH-HDBNCP-J
	EAR # 3896	S. HSIEH	21-Oct-10		
	CONFIGURATION LEVEL: :XXXXXXXXXXXX	FINISH	CAD FILE	Root Folder/HD-BNC/APH-HDBNCP-J	DWG SIZE B