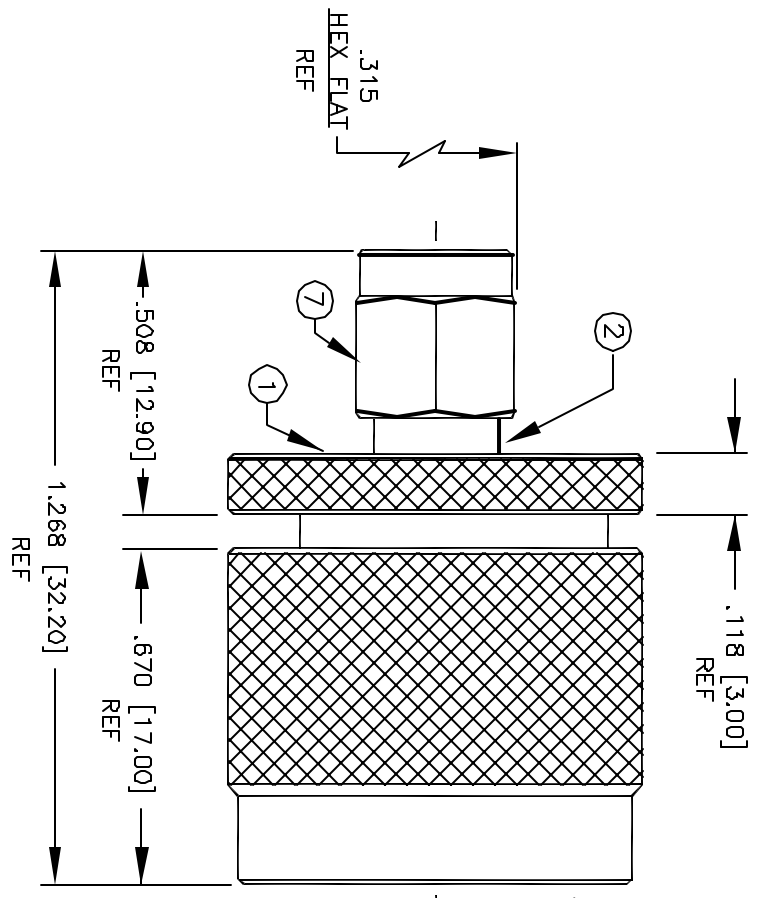


ALL RIGHTS RESERVED. NO PORTION OF THIS PUBLICATION, WHETHER IN WHOLE OR IN PART CAN BE REPRODUCED WITHOUT THE EXPRESS WRITTEN CONSENT OF SPC TECHNOLOGY.

REVISIONS			DOC. NO. SPC-F005	Effective: 12/21/98	DCP No: 860			
DCP #	REV	DESCRIPTION	DRAWN	DATE	CHECKD	DATE	APPRVD	DATE
428	B	CHANGE ELECTRONIC FILE NAME	DJC	2/12/98	JC	2/17/98	JC	2/17/98
665	C	CHANGE DIMENSION	DJC	12/23/98	JC	1/8/99	JC	1/8/99



SPECIFICATIONS:

IMPEDANCE: 50 OHMS
 WORKING VOLTAGE: 335 VRMS @ SEA LEVEL
 FREQUENCY RANGE: 0-11 GHz
 Interface per MIL-STD-348A, Section 310.1 & 304.1

ITEM	DESCRIPTION	QTY	MATERIAL	FINISH
10	SHELL	1	BRASS	NICKEL
9	RETAINING RING	1	BRASS	NICKEL
8	GASKET	1	S.I. RUBBER	RED
7	SHELL	1	BRASS	NICKEL
6	RETAINING RING	1	BeCu	NONE
5	GASKET	1	S.I. RUBBER	RED
4	DIELECTRIC	1	TEFLON	NONE
3	PIN	1	BRASS	NONE
2	SMA BODY	1	BRASS	NICKEL
1	N BODY	1	BRASS	NICKEL

DISCLAIMER
 ALL STATEMENTS AND TECHNICAL INFORMATION CONTAINED HEREIN ARE BASED UPON INFORMATION AND/OR TESTS WE BELIEVE TO BE ACCURATE AND RELIABLE. SINCE CONDITIONS OF USE ARE BEYOND OUR CONTROL, THE USER SHALL DETERMINE THE SUITABILITY OF THE PRODUCT FOR THE INTENDED USE AND ASSUME ALL RISK AND LIABILITY WHATSOEVER IN CONNECTION THEREWITH.

SPC TECHNOLOGY

DRAWING TITLE: SMA MALE TO N MALE ADAPTER

UNLESS OTHERWISE SPECIFIED, DIMENSIONS ARE FOR REFERENCE PURPOSES ONLY.

DRAWN BY: DANIEL CAREY
 CHECKED BY: JOHN COLE
 APPROVED BY: BRETT BRAATZ

DATE: 4/2/97
 DATE: 4/8/97
 DATE: 4/18/97

SIZE	DWG. NO.	ELECTRONIC FILE	REV
A	8589-0868	16N2750.DWG	C
SCALE:	NTS	U.O.M.: INCHES [mm]	SHEET: 1 OF 1