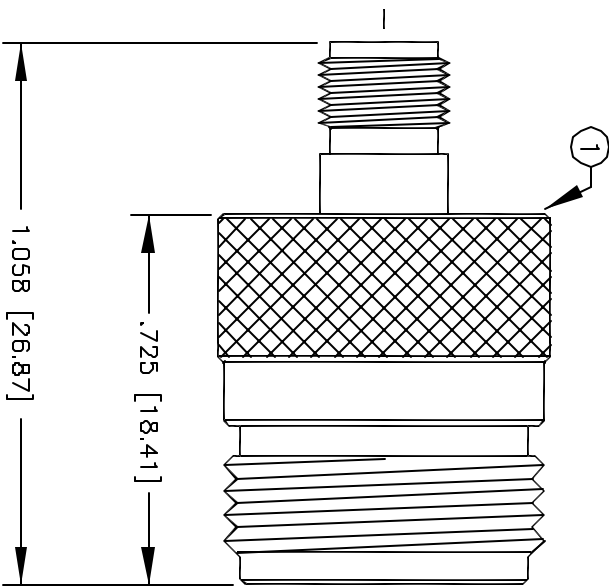


© COPYRIGHT 1997 BY SPC TECHNOLOGY. ALL RIGHTS RESERVED. NO PORTION OF THIS PUBLICATION, WHETHER IN WHOLE OR IN PART CAN BE REPRODUCED WITHOUT THE EXPRESS WRITTEN CONSENT OF SPC TECHNOLOGY.



REVISIONS				DOC. NO.	SPC-FD05, Total Pages:			
DWG #	REV	DESCRIPTION	DRAWN	DATE	CHECKD	DATE	APPRVD	DATE
18	A	RELEASED	D.J.C.	4/2/97	J.C.	4/8/97	B.B.	4/16/97
428	B	CHANGE ELECTRONIC FILE NAME	DJC	2/12/98	JC	2/17/98	JC	2/17/98

SPECIFICATIONS:

IMPEDANCE: 50 OHMS
 WORKING VOLTAGE: 335 VRMS @ SEA LEVEL
 FREQUENCY RANGE: 0-3 GHz

ITEM	DESCRIPTION	QTY	MATERIAL	FINISH
5	PRESS FIT SLEEVE	1	BRASS	NICKEL
4	DIELECTRIC	1	TEFLON	NONE
3	DIELECTRIC	1	TEFLON	NONE
2	CONTACT	1	PHOSPHOR BRONZE	GOLD
1	BODY	1	BRASS	NICKEL

DISCLAIMER
 ALL STATEMENTS AND TECHNICAL INFORMATION CONTAINED HEREIN ARE BASED UPON INFORMATION AND/OR TESTS WE BELIEVE TO BE ACCURATE AND RELIABLE. SOME CONDITIONS OF USE ARE MENTIONED BUT NOT EXHAUSTIVE. THE USER SHALL DETERMINE THE SUITABILITY OF THE PRODUCT FOR THE INTENDED USE AND ASSUME ALL RISK AND LIABILITY WHATSOEVER IN CONNECTION THEREWITH.



SPC TECHNOLOGY
 2070160, LL 60040-4998

DRAWN BY:		DATE:	DRAWING TITLE:		SCALE:		SHEET:	
DANIEL CAREY		4/2/97	SMA FEMALE TO N FEMALE		NTS		1 OF 1	
CHECKED BY:		DATE:	SIZE	DWG. NO.	CAD FILE	REV		
JOHN COLE		4/8/97	A	8589-0860	16N2742.DWG	B		
APPROVED BY:		DATE:						
BRETT BRAATZ		4/18/97						