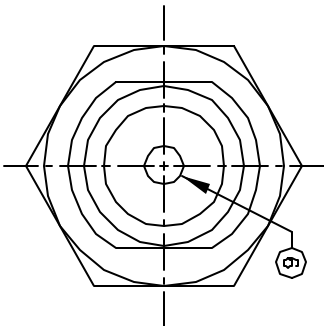
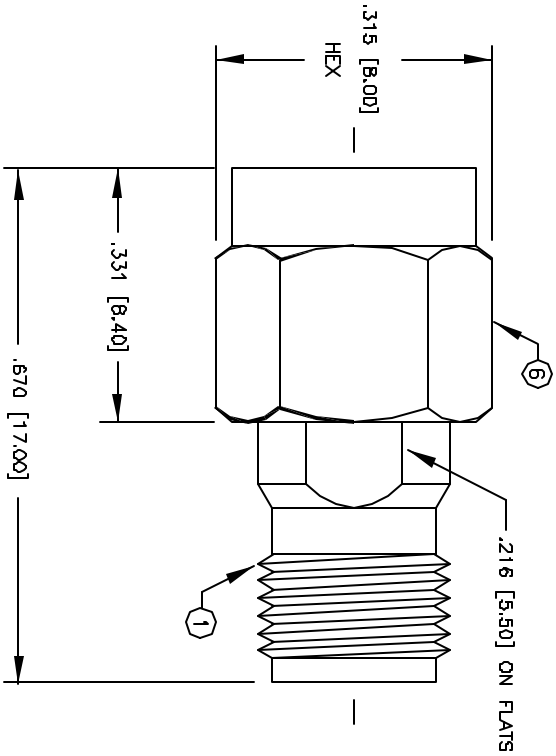


© COPYRIGHT 1997 BY SPC TECHNOLOGY. ALL RIGHTS RESERVED. NO PORTION OF THIS PUBLICATION, WHETHER IN WHOLE OR IN PART CAN BE REPRODUCED WITHOUT THE EXPRESS WRITTEN CONSENT OF SPC TECHNOLOGY.



REVISIONS				DOC. NO. SPC-FD05, Total Pages: 2				
DCP #	REV	DESCRIPTION	DRAWN	DATE	CHECKD	DATE	APPRVD	DATE
18	A	RELEASED	D.J.C.	4/2/97	J.C.	4/8/97	B.B.	4/15/97
428	B	CHANGE ELECTRONIC FILE NAME	DJC	2/12/98	JC	2/17/98	JC	2/17/98

SPECIFICATIONS:

IMPEDANCE: 50 OHMS  
 WORKING VOLTAGE: 335 VRMS @ SEA LEVEL  
 FREQUENCY RANGE: 0-12.4 GHz

ITEM	DESCRIPTION	QTY	MATERIAL	FINISH
6	SHELL	1	BRASS	GOLD
5	RETAINING RING	1	BERYLLIUM COPPER	NONE
4	GASKET	1	S.I. RUBBER	BRIGHT ORANGE
3	DIELECTRIC	2	TEFLON	NONE
2	CONTACT	1	BERYLLIUM COPPER	GOLD
1	BODY	1	BRASS	GOLD

**DISCLAIMER**  
 ALL STATEMENTS AND TECHNICAL INFORMATION CONTAINED HEREIN ARE BASED UPON INFORMATION AND/OR TESTS WE BELIEVE TO BE ACCURATE AND RELIABLE. SINCE CONDITIONS OF USE ARE BEYOND OUR CONTROL, THE USER SHALL DETERMINE THE SUITABILITY OF THE PRODUCT FOR THE INTENDED USE AND ASSUME ALL RISK AND LIABILITY WHATSOEVER IN CONNECTION THEREWITH.

DIMENSIONS ARE FOR REFERENCE PURPOSES ONLY.

SPC-FD05.DWG

DRAWN BY:	DATE:
DANIEL CAREY	4/2/97
CHECKED BY:	DATE:
JOHN COLE	4/8/97
APPROVED BY:	DATE:
BRETT BRAATZ	4/16/97



**SPC TECHNOLOGY**  
 2070A00, LT 60940-4198

DRAWING TITLE:		SMA MALE TO SMA FEMALE ADAPTER	
SIZE	DWG. NO.	CAD FILE	REV
A	8589-0852	16N2734.DWG	B
SCALE:	NTS	U.O.M.: INCHES [mm]	SHEET: 1 OF 1