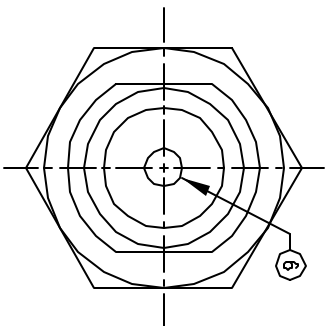
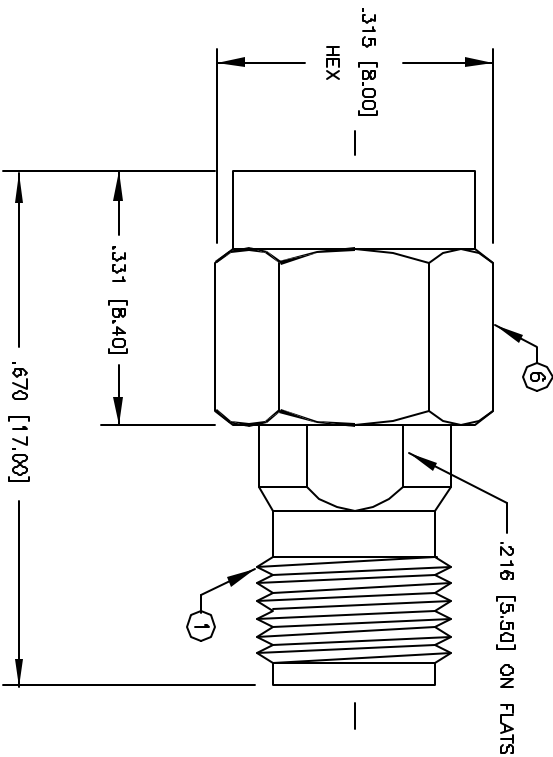


REVISIONS		DDC. NO. SPC-FD05, Total Pages: 2
DCP #	REV	Effective: 3/3/97, DCP No: 103 Supersedes DCP No: 97
18	A	RELEASED
428	B	CHANGE ELECTRONIC FILE NAME
		DRAWN DATE CHECKD DATE APPRVD DATE
		D.J.C. 4/2/97 J.C. 4/8/97 B.B. 4/16/97
		DJC 2/12/98 JC 2/17/98 JC 2/17/98



**SPECIFICATIONS:**

IMPEDANCE: 50 OHMS  
 WORKING VOLTAGE: 335 VRMS @ SEA LEVEL  
 FREQUENCY RANGE: 0-12.4 GHz

ITEM	DESCRIPTION	QTY	MATERIAL	FINISH
6	SHELL	1	BRASS	NICKEL
5	RETAINING RING	1	BERYLLIUM COPPER	NONE
4	GASKET	1	S.I. RUBBER	BRIGHT ORANGE
3	DIELECTRIC	2	TEFLON	NONE
2	CONTACT	1	BERYLLIUM COPPER	GOLD
1	BODY	1	BRASS	NICKEL

**DISCLAIMER**  
 ALL STATEMENTS AND TECHNICAL INFORMATION CONTAINED HEREIN ARE BASED UPON INFORMATION AND/OR TESTS WE BELIEVE TO BE ACCURATE AND RELIABLE. SINCE CONDITIONS OF USE ARE BEYOND OUR CONTROL, THE USER SHALL DETERMINE THE SUITABILITY OF THE PRODUCT FOR THE INTENDED USE AND ASSUME ALL RISK AND LIABILITY WHATSOEVER IN CONNECTION THEREWITH.

DIMENSIONS ARE FOR REFERENCE PURPOSES ONLY.

DRAWN BY:	DATE:
DANIEL CAREY	4/2/97
CHECKED BY:	DATE:
JOHN COLE	4/8/97
APPROVED BY:	DATE:
BRETT BRAATZ	4/18/97



**SPC TECHNOLOGY**  
 2073100, LL 60040-4198

DRAWING TITLE:		SMA MALE TO SMA FEMALE ADAPTER	
SIZE	DWG. NO.	CAD FILE	REV
A	8589-0851	16N2733.DWG	B
SCALE:	NTS	U.O.M.: INCHES [mm]	SHEET: 1 OF 1