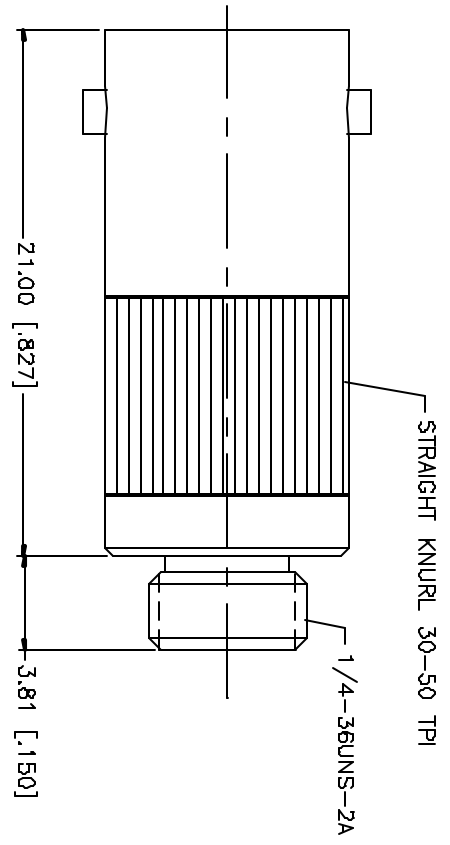


REV.	DATE	DESCRIPTION
NC	08/30/04	INITIAL RELEASE



QTY	FINISH	MATERIAL	DESCRIPTION
1	GOLD	BER. COPPER	CONTACT PIN
1	NATURAL	TEFLON	INSULATOR
1	GOLD	BRASS	BODY

APPROVALS	DATE
DRAWN G.R.S.	08/30/04
CHECKED	
ISSUED	
BIHEIT 1 QF 1	

PART DESCRIPTION	PART NO.	DWG. NO.	REV.	NC	SIZE	SCALE
Amphenol Connex	BNC JACK TO MCX JACK ADAPTER	242206		NC	A	NA

UNLESS OTHERWISE SPECIFIED DIMENSIONS ARE IN MILLIMETERS, DIMENSIONS IN [] ARE IN INCHES AND FOR DETAILERS' RECORDS ONLY.	
USING DIMENSIONS SPECIFIED TOLERANCES FOR MILLIMETERS ARE:	
0.5 - 8mm ± 0.20mm	USING DIMENSIONS SPECIFIED TOLERANCES FOR INCHES ARE:
8 - 30mm ± 0.40mm	0.250 - .315 ± 0.007"
30 - 120mm ± 0.50mm	.315 - 1.180 ± 0.015"
	1.180 - 4.724 ± 0.020"
DO NOT SCALE DRAWINGS	