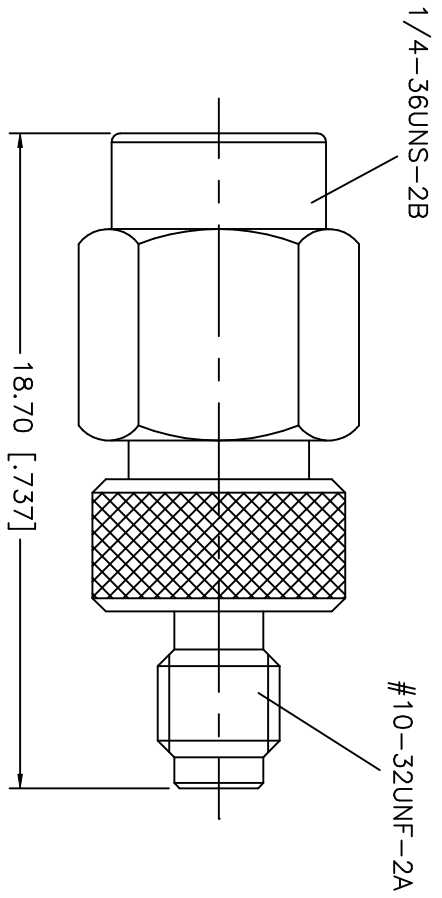


REV.	DATE	DESCRIPTION
NC	09/12/02	INITIAL RELEASE



8				UNLESS OTHERWISE SPECIFIED DIMENSIONS ARE IN MILLIMETERS		APPROVALS		DATE		Amphenol - Connex CONNECTOR CORPORATION TITLE SMA MALE TO SSMA FEMALE ADAPTOR SIZE A FSCM NO. 99001 DWG. NO. 242189.DWG SCALE NA PART NO. 242189 SHEET 1 OF 1 REV. NC			
7				DIMENSIONS IN [] ARE IN INCHES FOR CUSTOMER REFERENCE ONLY		DRAWN G.R.S.		09/12/02					
6				UNLESS OTHERWISE SPECIFIED TOLERANCES FOR INCHES ARE: .XXX = ± 0.005" .XX = ± 0.010" .X = ± 0.020"		CHECKED							
5				DO NOT SCALE DRAWING		ISSUED							
4													
3	CONTACT PIN	BER. COPPER	GOLD										
2	INSULATOR	TEFLON	NATURAL										
1	BODY	BRASS	GOLD										
	DESCRIPTION	MATERIAL	FINISH										