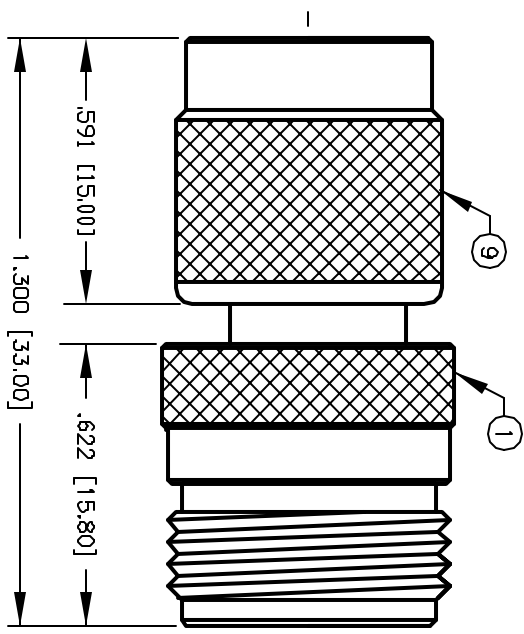


ALL RIGHTS RESERVED. NO PORTION OF THIS PUBLICATION, WHETHER IN WHOLE OR IN PART CAN BE REPRODUCED WITHOUT THE EXPRESS WRITTEN CONSENT OF SPC TECHNOLOGY.

REVISIONS		DOC. NO.	SPC-F005	Effective:	12/21/98	Doc No.	880
DOP #	REV	DESCRIPTION	DRAWN	DATE	CHECKD	DATE	APPRVD
129	A	RELEASED	DJC	3/11/98	JC	3/13/98	JMM
665	B	CHANGE BODY & ELECTRICAL SPECS	DJC	12/23/98	JC	1/8/99	JC



SPECIFICATIONS:

IMPEDANCE: 50 OHMS
 VOLTAGE RATING: 500 VRMS @ SEA LEVEL
 FREQUENCY RANGE: 0-7 GHz
 Interface per MIL-STD-348A, Section 304.2 & 313.1

ITEM	DESCRIPTION	QTY	MATERIAL	FINISH
9	SHELL	1	BRASS	NICKEL
8	WASHER	1	BRASS	NICKEL
7	RETAINING RING	1	BRASS	NICKEL
6	RING	1	DELRIN	NONE
5	GASKET	1	S.I. RUBBER	RED
4	GROUND RING	1	BRASS	NICKEL
3	DIELECTRIC	1	TEFLON	NONE
2	CONTACT	1	PHOS BRONZE	GOLD
1	BODY	1	BRASS	NICKEL

DISCLAIMER
 ALL STATEMENTS AND TECHNICAL INFORMATION CONTAINED HEREIN ARE BASED UPON INFORMATION AND/OR TESTS WE BELIEVE TO BE ACCURATE AND RELIABLE. SINCE CONDITIONS OF USE ARE BEYOND OUR CONTROL, THE USER SHALL DETERMINE THE SUITABILITY OF THE PRODUCT FOR THE INTENDED USE AND ASSUME ALL RISK AND LIABILITY WHATSOEVER IN CONNECTION THEREWITH.

SPC TECHNOLOGY

DRAWING TITLE: **TNC MALE TO N FEMALE ADAPTER**

UNLESS OTHERWISE SPECIFIED, DIMENSIONS ARE FOR REFERENCE PURPOSES ONLY.

DRAWN BY: DANIEL CAREY
 CHECKED BY: JOHN COLE
 APPROVED BY: JEFF MCVICKER

DATE: 3/11/98
 DATE: 3/13/98
 DATE: 7/7/98

SCALE: NTS

SIZE DWG. NO. **1543**

ELECTRONIC FILE **92N3389.DWG**

SHEET: 1 OF 1