

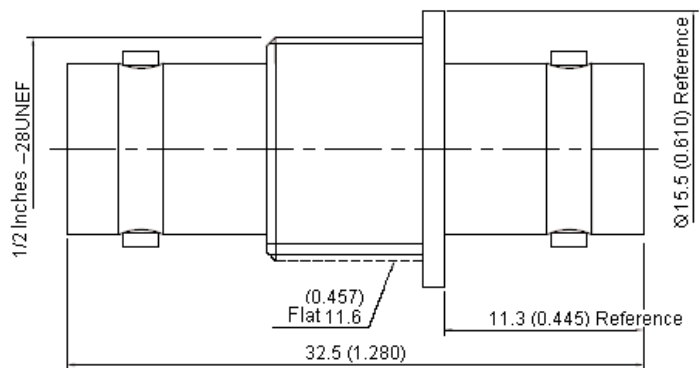
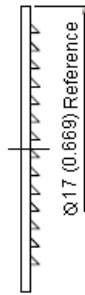
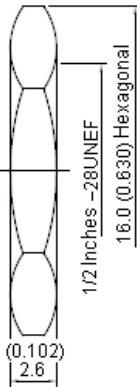
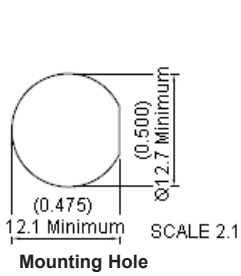


PART NO.

13-29-7

REVISIONS

ECN #	REV	DESCRIPTION	DRAWN	DATE	CHECKD	DATE	APPRVD	DATE
-	A	RELEASED	Jagan	24/03/09	Veena	24/03/09	Farnell	23/03/09



Dimensions : Millimetres (Inches)

Specifications:

Electrical:

Frequency range : DC-4GHz.
Nominal impedance : 50Ω.

Materials:

Bodies : Brass per JIS-C3604.
Center contact : Brass per JIS-C3604.
Insulation : Teflon per ASTM D1457 and ASTM D1710.

Mechanical:

Interface in accordance with MIL- STD-348A.

Environmental:

Operating temperature range : -40°C to +60°C

This data sheet and its contents (the "Information") belong to the Premier Farnell Group (the "Group") or are licensed to it. No licence is granted for the use of it other than for information purposes in connection with the products to which it relates. No licence of any intellectual property rights is granted. The Information is subject to change without notice and replaces all data sheets previously supplied. The Information supplied is believed to be accurate but the Group assumes no responsibility for its accuracy or completeness, any error in or omission from it or for any use made of it. Users of this data sheet should check for themselves the Information and the suitability of the products for their purpose and not make any assumptions based on information included or omitted. Liability for loss or damage resulting from any reliance on the Information or use of it (including liability resulting from negligence or where the Group was aware of the possibility of such loss or damage arising) is excluded. This will not operate to limit or restrict the Group's liability for death or personal injury resulting from its negligence. SPC MULTICOMP is the registered trademark of the Group. © Premier Farnell plc 2009.

TOLERANCES:

UNLESS OTHERWISE SPECIFIED, DIMENSIONS ARE FOR REFERENCE PURPOSES ONLY.

DRAWN BY:	DATE:
Jagan	24/03/09
CHECKED BY:	DATE:
Veena	24/03/09
APPROVED BY:	DATE:
Farnell	07/05/09

DRAWING TITLE:

Adaptor - BNC Jack - Jack, Bulkhead, 50 OHM

SIZE	DWG NO.	ELECTRONIC FILE	REV
A	M10001978	1169703-TDS_DWG	A
SCALE: NTS	U.O.M.: mm (Inches)	SHEET: 1 OF 2	



PART NO.

13-29-7

REVISIONS

ECN #	REV	DESCRIPTION	DRAWN	DATE	CHECKD	DATE	APPRVD	DATE
-	A	RELEASED	Jagan	24/03/09	Veena	24/03/09	Farnell	23/03/09

Specification Table

Description	Material	Finish	Part Number
Nut	Brass	Nickel	13-29-7
Washer	Steel		
Insulation	POM	None	
Body	Brass	Nickel 100µ Inches Minimum	
Insulation	ABS	None	
Center Contact	Brass	Gold 100µ Inches	
Washer		Nickel	

<http://www.farnell.com>

<http://www.newark.com>

<http://www.cpc.co.uk>

This data sheet and its contents (the "Information") belong to the Premier Farnell Group (the "Group") or are licensed to it. No licence is granted for the use of it other than for information purposes in connection with the products to which it relates. No licence of any intellectual property rights is granted. The Information is subject to change without notice and replaces all data sheets previously supplied. The Information supplied is believed to be accurate but the Group assumes no responsibility for its accuracy or completeness, any error in or omission from it or for any use made of it. Users of this data sheet should check for themselves the Information and the suitability of the products for their purpose and not make any assumptions based on information included or omitted. Liability for loss or damage resulting from any reliance on the Information or use of it (including liability resulting from negligence or where the Group was aware of the possibility of such loss or damage arising) is excluded. This will not operate to limit or restrict the Group's liability for death or personal injury resulting from its negligence. SPC MULTICOMP is the registered trademark of the Group. © Premier Farnell plc 2009.

TOLERANCES:

UNLESS OTHERWISE SPECIFIED, DIMENSIONS ARE FOR REFERENCE PURPOSES ONLY.

DRAWN BY:	DATE:
Jagan	24/03/09
CHECKED BY:	DATE:
Veena	24/03/09
APPROVED BY:	DATE:
Farnell	07/05/09

DRAWING TITLE:

Adaptor - BNC Jack - Jack, Bulkhead, 50 OHM

SIZE A	DWG NO. M10001978	ELECTRONIC FILE 1169703-TDS_DWG	REV A
SCALE: NTS		U.O.M.: mm (Inches)	SHEET: 2 OF 2