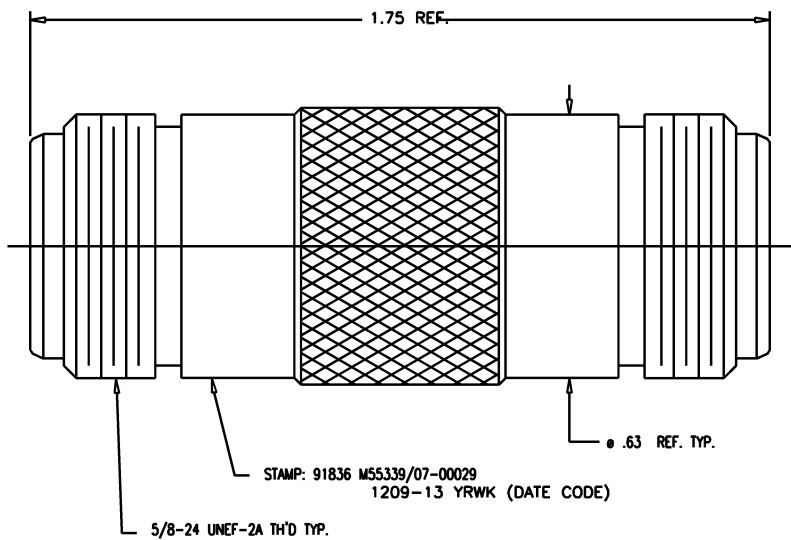


DASH NO.	M CODE	MADE FROM
----------	--------	-----------

GSD

M55339/07-00029

REVISIONS	
ISSUE	CHANGES
6	CN 39480 E REDRAWN DRK 05/31/06



- NOTES:
- INTERFACES PER MIL-STD-348, FIG. 304-2.
 - MATERIALS:
INSULATORS: TEFLON, ASTM-D4894
CONTACT: BER. COP., ASTM-B196
ALL OTHER PARTS: BRASS, ASTM-B16
 - FINISHES:
CENTER CONTACT: GOLD PLATE, ASTM-B488
ALL OTHER PARTS: SILVER PLATE, ASTM-B700
 - ELECTRICAL CHARACTERISTICS:
NOMINAL IMPEDANCE: 50 OHMS
VOLTAGE RATING: 1000 VRMS
FREQUENCY RANGE: DC TO 11 GHz

SCALE	4:1
APPROX SURFACE AREA	
USED ON	
REF:	1209-13

ADAPTER, F-F, N

DRAWN	DRK	DATE	05/31/06
DESIGN		DATE	
APPR.		DATE	

GSD

KINGS
ELECTRONICS CO., INC.
ROCK HILL, SOUTH CAROLINA 29730

M55339/07-00029