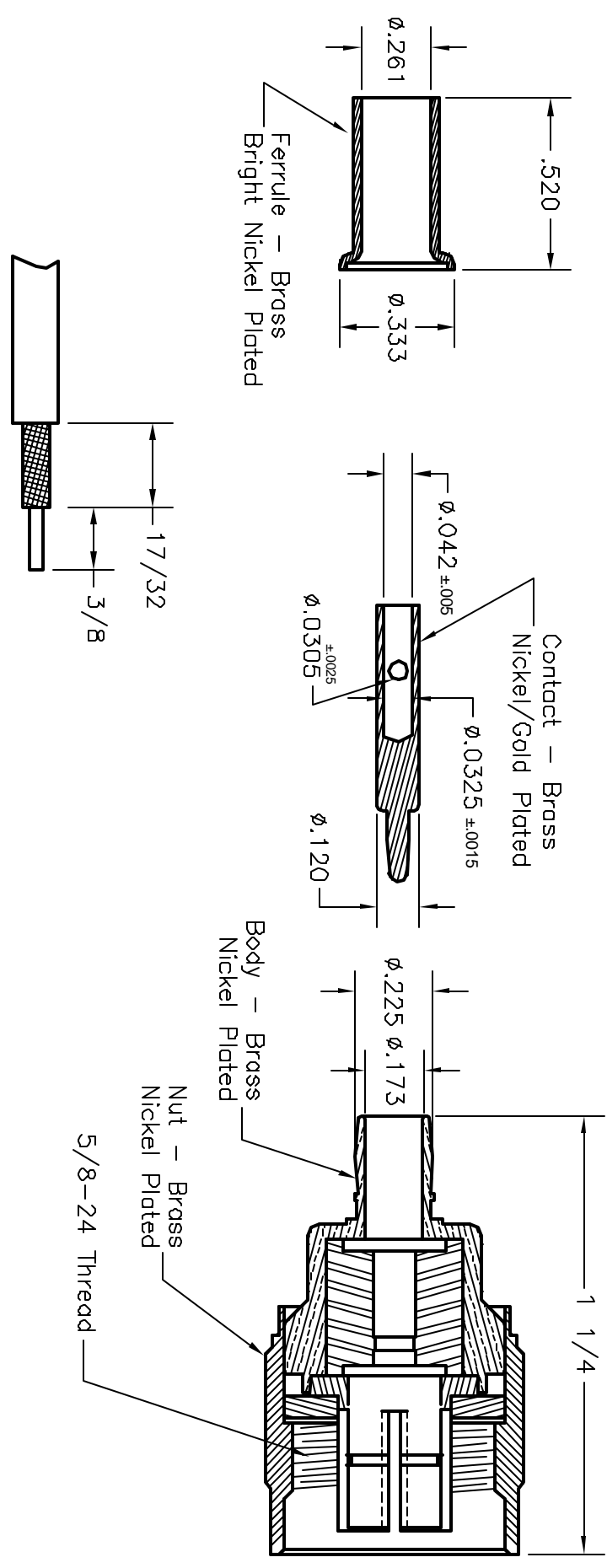


ALL RIGHTS RESERVED. NO PORTION OF THIS PUBLICATION, WHETHER IN WHOLE OR IN PART CAN BE REPRODUCED WITHOUT THE EXPRESS WRITTEN CONSENT OF SPC TECHNOLOGY.

REVOLUTIONS		DOC. NO.	SPC-F005	Effective:	12/21/98	Doc No.	880
DCP #	REV	DESCRIPTION	DRAWN	DATE	CHECKD	DATE	APPRVD
	A	RELEASED	CMD				DD
366	B	REDRAWN	JWM	10/29/99	JC	2/16/00	JC
							DD
							2/4/98
							2/16/00



Cable Trim Dimensions

DISCLAIMER
 ALL STATEMENTS AND TECHNICAL INFORMATION CONTAINED HEREIN ARE BASED UPON INFORMATION AND/OR TESTS WE BELIEVE TO BE ACCURATE AND RELIABLE. SINCE CONDITIONS OF USE ARE BEYOND OUR CONTROL, THE USER SHALL DETERMINE THE SUITABILITY OF THE PRODUCT FOR THE INTENDED USE AND ASSUME ALL RISK AND LIABILITY WHATSOEVER IN CONNECTION THEREWITH.

SPC TECHNOLOGY

DRAWING TITLE: **"N" Connector**

Tolerances Unless Otherwise Specified	DRAWN BY:	DATE:
Decimal	CMD	
.X ± .020	CHECKED BY:	DATE:
.XX ± .010		
.XXX ± .005	APPROVED BY:	DATE:
	DD	2/4/88

SIZE	DWG. NO.	ELECTRONIC FILE	REV
A	CPN-59	87N819.dwg	B
SCALE:	NTS	U.O.M.: INCHES [mm]	SHEET: 1 OF 1