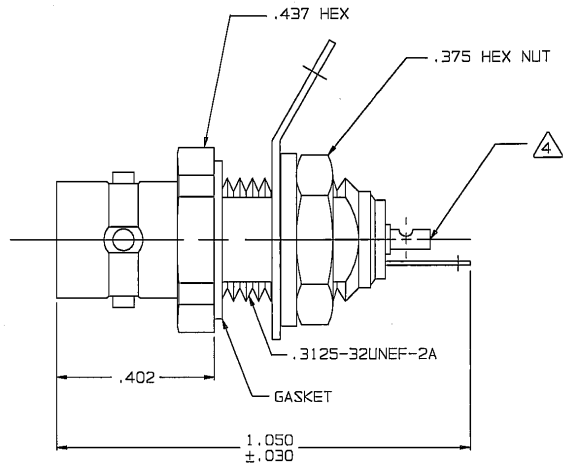
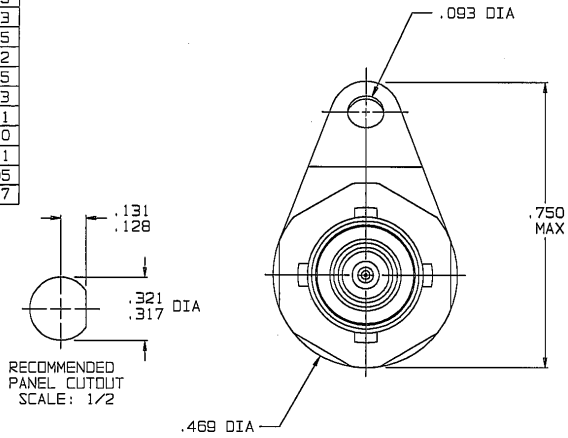


DATA CONTAINED IN THIS DOCUMENT IS PROPRIETARY TO TROMPETER ELECTRONICS INC. AND SHALL NOT BE DISCLOSED, COPIED OR USED FOR PROCUREMENT OR MANUFACTURE WITHOUT EXPRESS WRITTEN PERMISSION.

REVISIONS			305-0377	SH 1	
REV	ED	DESCRIPTION	DWN	APPROVED	DATE
H	13311	ADDED NOTE 5 AND ITEM 12 ON SHEET 2; SEE ECD	R L		3/3/00

INCH	MM
.005	0.13
.030	0.76
.034	0.86
.093	2.36
.128	3.25
.131	3.33
.187	4.75
.317	7.92
.321	8.15
.375	9.53
.402	10.21
.437	11.10
.469	11.91
.750	19.05
1.050	26.67

**RED INDICATES ORIGINAL**



5. SUBMINIATURE TRIAXIAL SOLDER POT BULKHEAD MOUNT 4-LUG RECEPTACLE (TPS STYLE)

4 SOLDER POT ACCEPTS .034 DIA MAX CONDUCTOR

3. MAX PANEL THK: .187

2. FINISH: TFS-1A (NICKEL)

1. ALL DIM ARE IN INCHES

QTY	DESCRIPTION	PART NUMBER	ITEM
TOL UNLESS SPECIFIED XX ± .XXX ± .005 XXXX ± ANGLES ±	<b>TROMPETER ELECTRONICS, INC.</b>	BJ157FL	
DWN	3/3/00	MATERIAL	CODE IDENT
CHK		14949	DRAWING NO.
305-0434	ENGR	305-0377	REV H
NEXT ASSY	APPR	SCALE 4/1	DATE 2-28-79
			SHEET 1C