

4

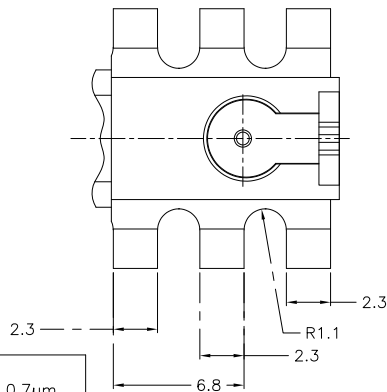
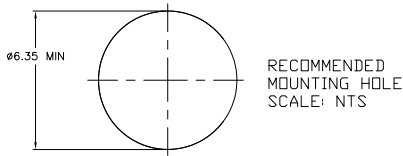
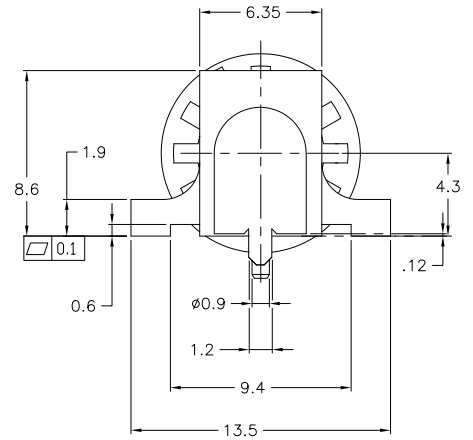
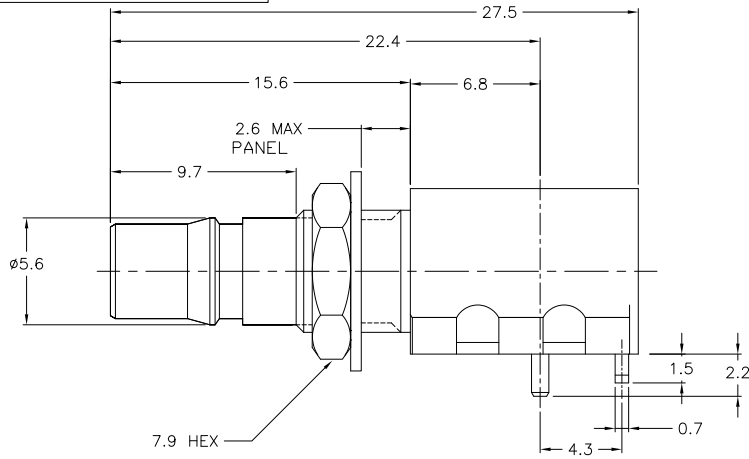
3

2

1

THIS DRAWING IS UNPUBLISHED. RELEASED FOR PUBLICATION  
 © COPYRIGHT BY TYCO ELECTRONICS CORPORATION. ALL RIGHTS RESERVED.

LOC	DIST	REVISIONS			
F	LR	DESCRIPTION	DATE	BY	APPD
AJ	00	REVISED PER ECO-07-019279	16AUG2007	DW	BW



COMPONENT	MATERIAL	FINISH	PLATING THICKNESS, MIN	
CENTER CONTACT	PHOSPHOR BRONZE	GOLD	0.7µm	0.7µm
HOUSING, CAP	BRASS	GOLD	0.7µm	0.2µm
NUT	BRASS	GOLD	1.27µm	0.2µm
WASHER	BRONZE	GOLD	1.27µm	0.2µm
DIELECTRIC	PTFE	N/A	N/A	N/A

8-1403077-6	6-1403080-0	1408520-2	1408463-3
4-1403077-1	5-1403080-2	1408520-1	1408463-1
MTG NUT	WASHER	HSG ASSY	PART NUMBER

THIS DRAWING IS A CONTROLLED DOCUMENT.		DATE: 11/20/02	BY: Tyco Electronics Corporation
DIMENSIONS: mm	TOLERANCES UNLESS OTHERWISE SPECIFIED:	APPROVED: [Signature]	NAME: Tyco Electronics Corporation, Norwood, MA 02062
0. PLG ± .1	1. PLG ± .02	PRODUCT SPEC: 108-2087	NAME: QMA RIGHT ANGLE SMT JACK RECEPTACLE
2. PLG ± .013	3. PLG ± .1	APPLICATION SPEC: -	SIZE: A2
4. PLG ± .1	ANGLES ± 1°	WEIGHT: 7.71 grams	DATE CODE: 00779
MATERIAL: -	FINISH: -	REVISION: C	DRAWING NO: 1408463
CUSTOMER DRAWING		SCALE: 10:1	SHEET: 1 of 3

AMP 1471-9 REV 31MM2000

1408463

A

4

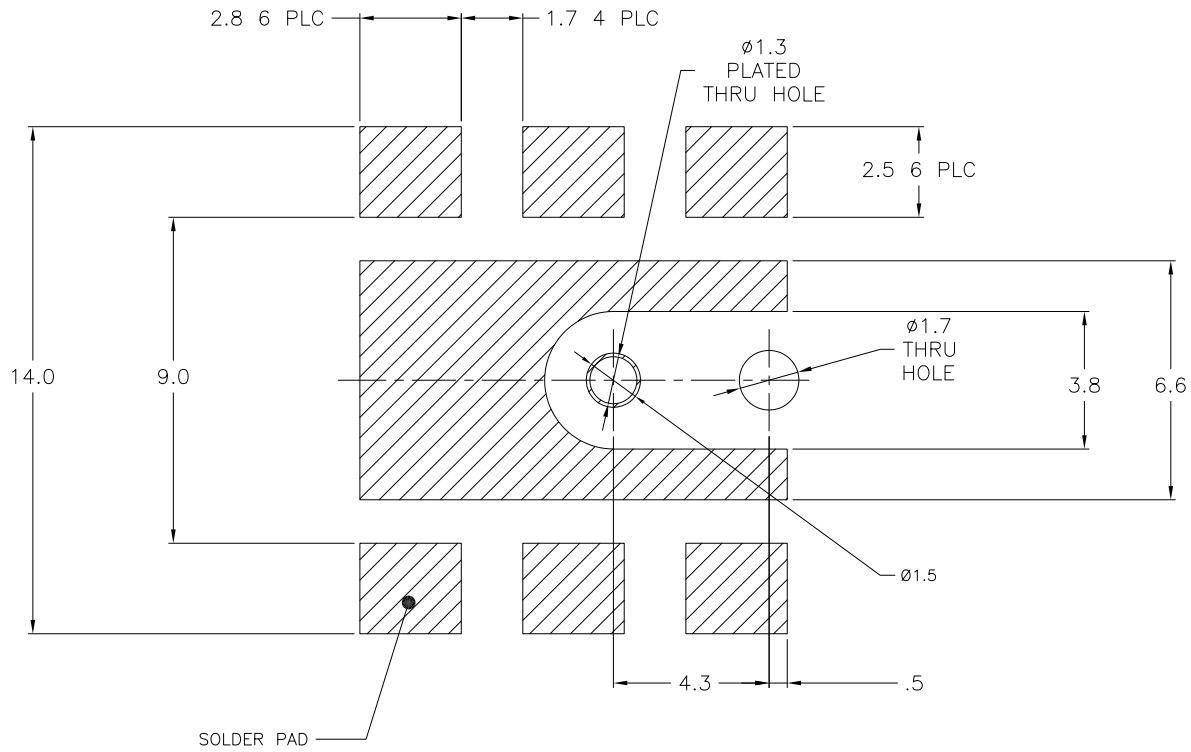
3

2

1

THIS DRAWING IS UNPUBLISHED. RELEASED FOR PUBLICATION. BY TYCO ELECTRONICS CORPORATION. ALL RIGHTS RESERVED.

LOC	DIST	REVISIONS			
HC	00	F	LR	DATE	DRN
					APD
		SEE SHEET 1			



THIS DRAWING IS A CONTROLLED DOCUMENT.		DRN	11/20/02	Tyco Electronics Corporation	
DIMENSIONS: mm		DOC#		Norwood, MA 02062	
TOLERANCES UNLESS OTHERWISE SPECIFIED:		DATE		QMA RIGHT ANGLE SMT JACK	
Ø	PLC	NAME		RECEPTACLE	
1	PLC	PRODUCT SPEC		PCB LAYOUT	
2	PLC	APPLICATION SPEC		SIZE	CAGE CODE
3	PLC	WEIGHT		A2	00779
4	PLC			C=1408463	
ANGLES				RESTRICTED TO	
MATERIAL	FINISH	CUSTOMER DRAWING		SCALE	NTS
				SHEET	2 of 3
				REV	E1

AMP 1471-9 REV 31MMR2000

1408463

4

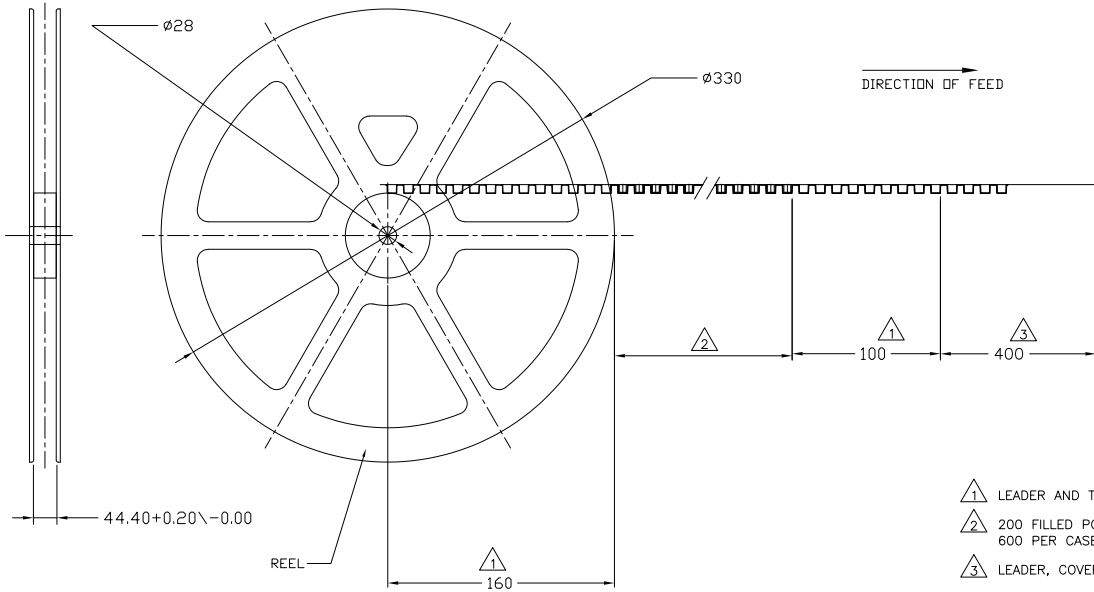
3

2

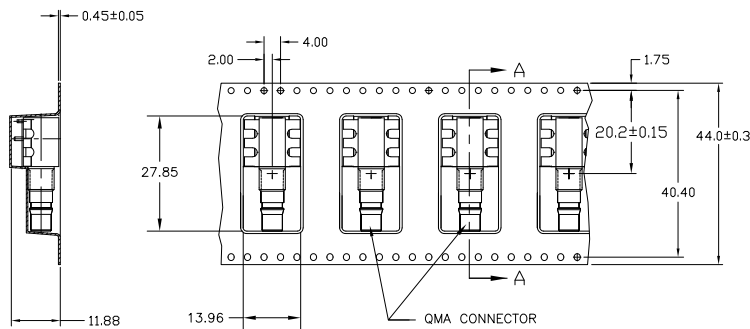
1

THIS DRAWING IS UNPUBLISHED. RELEASED FOR PUBLICATION.  
 © COPYRIGHT BY TYCO ELECTRONICS CORPORATION. ALL RIGHTS RESERVED.

LOC	DIST	REVISIONS			
F	LN	DESCRIPTION	DATE	BY	APP
HC	00	SEE SHEET 1	-	-	-



- 1 LEADER AND TRAILER EMPTY POCKETS BUT SEALED WITH COVER TAPE
- 2 200 FILLED POCKETS PER REEL @ 24mm CENTERLINE. 600 PER CASE (3 REELS)
- 3 LEADER, COVER TAPE
- 4 REELED PRODUCT PER SPEC EIA 481
- 5 PRODUCT HAS NOT COMPLETED VALIDATION TESTING



THIS DRAWING IS A CONTROLLED DOCUMENT.		DRN	11/20/02	Tyco Electronics Corporation	
		DOC#	-	Norwood, MA 02062	
		CHK	-	Tyco Electronics	
		APPRO	-	NAME	
		PRODUCT SPEC	-	QMA RIGHT ANGLE SMT JACK	
		APPLICATION SPEC	108-2087	RECEPTACLE	
		WEIGHT	7.71 grams	SIZE	A2
		CUSTOMER DRAWING	-	CAGE CODE	00779
				DRAWING NO	C=1408463
				RESTRICTED TO	-
				SCALE	NTS
				SHEET	3 of 3
				REV	E1

AMP 1471-9 REV 31MM2000

1408463

A