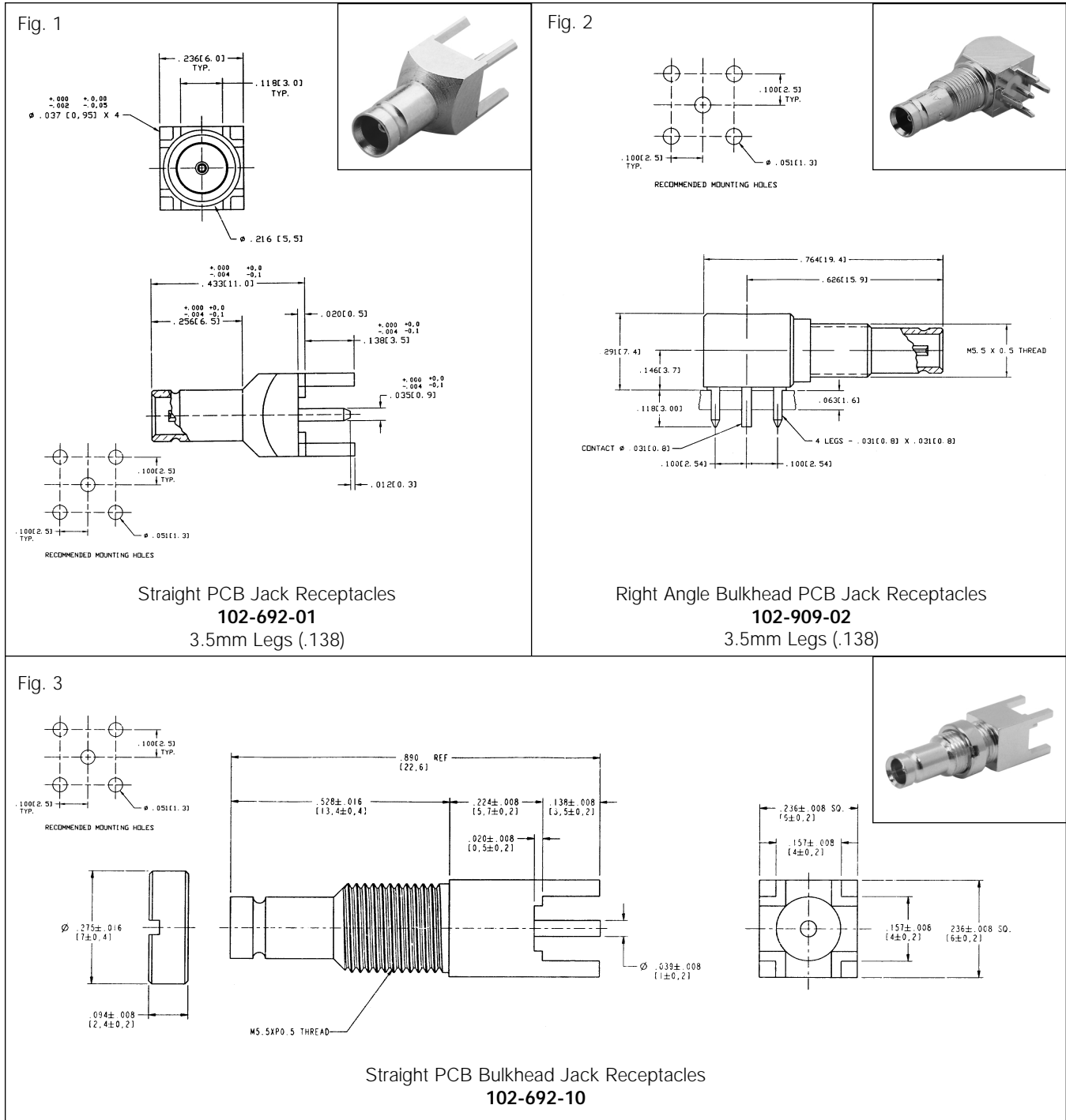


# 1.0/2.3 PCB Jack Receptacles



## 1.0/2.3 PCB JACK RECEPTACLES

Description	Terminal Type	Ins	Construction Notes	Amphenol Number	Fig
PCB Straight Jack Receptacle	Blunt Post	D1	Gold plated body	<a href="#">102-692-01</a>	1
PCB Straight Bulkhead Jack Receptacle	Blunt Post	D1	Gold plated body	<a href="#">102-692-10</a>	3
PCB Bulkhead Angle Jack Receptacle	Blunt Post	D1	Gold plated body	<a href="#">102-909-02</a>	2