



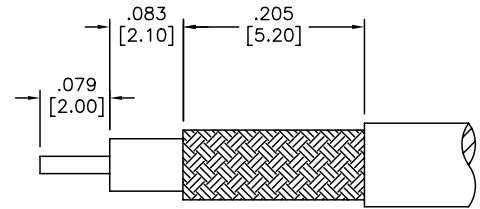
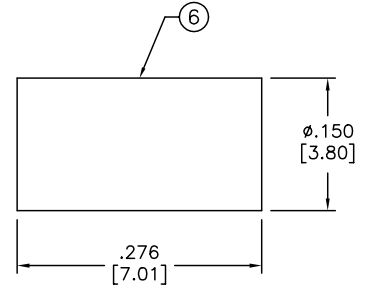
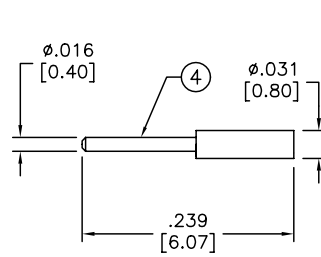
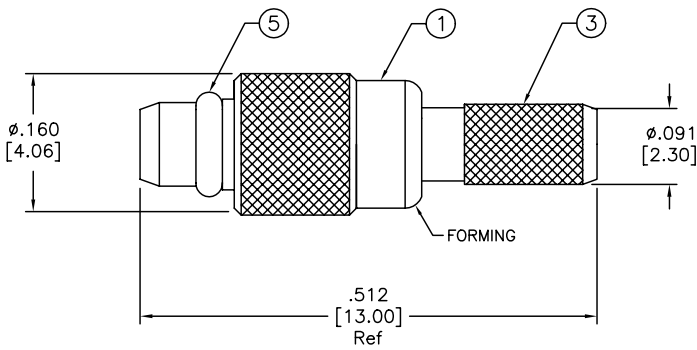
ALL RIGHTS RESERVED. NO PORTION OF THIS PUBLICATION, WHETHER IN WHOLE OR IN PART, CAN BE REPRODUCED WITHOUT THE EXPRESS WRITTEN CONSENT OF SPC TECHNOLOGY.

SPC-F005.DWG

REVISIONS

DOC. NO. SPC-F005 \* Effective: 7/8/02 \* DCP No: 1398

| DCP # | REV | DESCRIPTION | DRAWN | DATE    | CHECKD | DATE    | APPRVD | DATE    |
|-------|-----|-------------|-------|---------|--------|---------|--------|---------|
| 809   | A   | RELEASED    | JWM   | 9/26/03 | HO     | 9/26/03 | DJC    | 9/26/03 |



RECOMMENDED STRIPPING DIMENSIONS

RECOMMENDED CRIMP SIZE: .130  
CONTACT TO BE SOLDERED

SPECIFICATIONS:

IMPEDANCE: 50 Ohms  
 FREQUENCY RANGE: 0 - 6 GHz  
 VSWR: 1.2 Max.  
 VOLTAGE RATING: 170 V rms Max @ Sea Level  
 INSERTION LOSS: 0.2 dB Max. @ 1GHz

[B] RG-174, 188, 188A, 316/U; ALPHA 9174, 9316;  
 BELDEN 8216, 83269, 83284, 84316; TIMES LMR-100A

|   |                |     |         |                      |
|---|----------------|-----|---------|----------------------|
| 1 | BODY           | 1   | BRASS   | GOLD, 3 microinches  |
| 2 | INSULATOR      | 1   | PTFE    | ---                  |
| 3 | FERRULE STUD   | 1   | BRASS   | GOLD, 3 microinches  |
| 4 | CONTACT        | 1   | BRASS   | GOLD, 30 microinches |
| 5 | RETAINING RING | 1   | Be. Cu. | GOLD, 3 microinches  |
| 6 | FERRULE        | 1   | COPPER  | GOLD, 3 microinches  |
| # | DESCRIPTION    | QTY | MATRL   | FINISH               |

DISCLAIMER:  
 ALL STATEMENTS AND TECHNICAL INFORMATION CONTAINED HEREIN ARE BASED UPON INFORMATION AND/OR TESTS WE BELIEVE TO BE ACCURATE AND RELIABLE. SINCE CONDITIONS OF USE ARE BEYOND OUR CONTROL, THE USER SHALL DETERMINE THE SUITABILITY OF THE PRODUCT FOR THE INTENDED USE AND ASSUME ALL RISK AND LIABILITY WHATSOEVER IN CONNECTION THEREWITH.

TOLERANCES:  
 UNLESS OTHERWISE SPECIFIED, DIMENSIONS ARE FOR REFERENCE PURPOSES ONLY.

|               |         |
|---------------|---------|
| DRAWN BY:     | DATE:   |
| Jeff McVicker | 9/26/03 |
| CHECKED BY:   | DATE:   |
| Hisham Odish  | 9/26/03 |
| APPROVED BY:  | DATE:   |
| Daniel Carey  | 9/26/03 |

|  |                     |                 |     |
|--|---------------------|-----------------|-----|
| DRAWING TITLE:<br>Coaxial Connector, MMCX, Male, Crimp |                     |                 |     |
| SIZE   | DWG. NO.            | ELECTRONIC FILE | REV |
| A  | SPC10012            | 18C1885.dwg     | A   |
| SCALE: NTS   | U.O.M.: INCHES [mm] | SHEET: 1 OF 1   |     |