

4

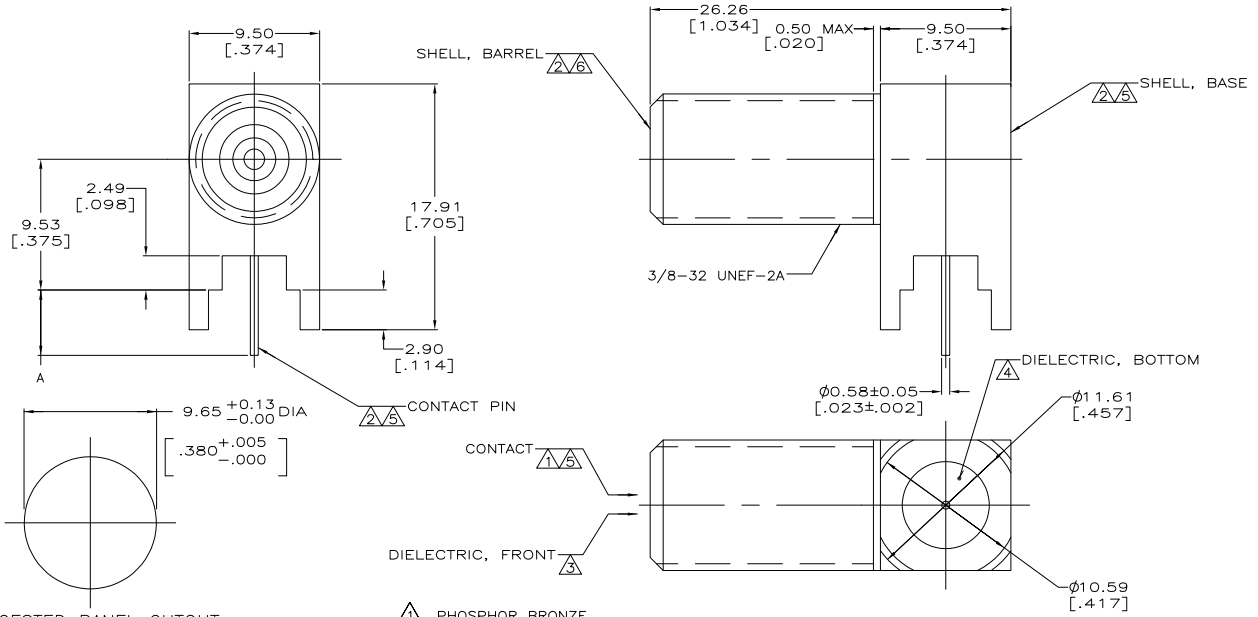
3

2

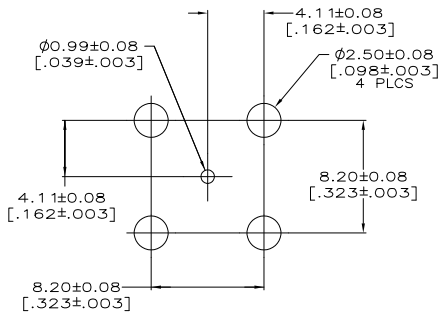
1

THIS DRAWING IS UNPUBLISHED. RELEASED FOR PUBLICATION  
 © COPYRIGHT BY TYCO ELECTRONICS CORPORATION. ALL RIGHTS RESERVED.

LOC	DIST	REVISIONS			
P	LTR	DESCRIPTION	DATE	BY	APPD
AJ	00	REV PER EDD 06-016786	1/23/2007	DW	KW



SUGGESTED PANEL CUTOUT



PCB CONFIGURATION

- ▲ PHOSPHOR BRONZE.
  - ▲ BRASS.
  - ▲ PTFE.
  - ▲ ACETAL, GENERAL PURPOSE
  - ▲ TIN PLATE 2.54 μm [.000100] MINIMUM THICK.
  - ▲ NICKEL PLATE 2.54 μm [.000100] MINIMUM THICK.
7. CONNECTOR WILL ACCEPT CENTER CONDUCTOR DIAMETER RANGE OF 0.51 [.020]-1.19 [.047]

4.75 ± 0.51 [.187 ± .020]	5415476-1
DIM A	PART NUMBER

THIS DRAWING IS A CONTROLLED DOCUMENT.		DWG: K. WEIDNER 7-27-05 OK: K. WEIDNER 7-27-05 APPD: K. WEIDNER 7-27-05	<b>Tyco Electronics</b> Tyco Electronics Corporation Harrisburg, PA 17105-3608
DIMENSIONS: mm [INCHES]	DIMENSIONS UNLESS OTHERWISE SPECIFIED: 0 PLC ± .005 1 PLC ± .005 2 PLC ± .005 3 PLC ± .005 4 PLC ± .005 ANGLES ± .5°	NAME: JACK, PCB, RIGHT ANGLE, F SERIES PRODUCT SPEC: 108-1755 APPLICATION SPEC:	SIZE: A2 CASE CODE: C=5415476 DRAWING NO: 5415476-1 RESTRICTED TO:
MATERIAL: SEE NOTES 1-4	FINISH: SEE NOTES 5 & 6	HEIGHT: CUSTOMER DRAWING	SCALE: 5:1 SHEET: 1 of 1 REV: A

AMP 1471-9 REV 31MM2000

5415476

A