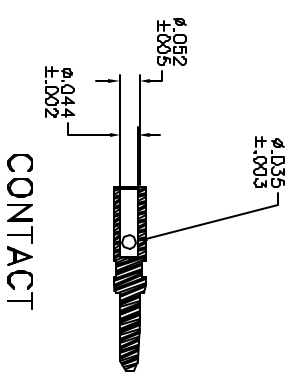
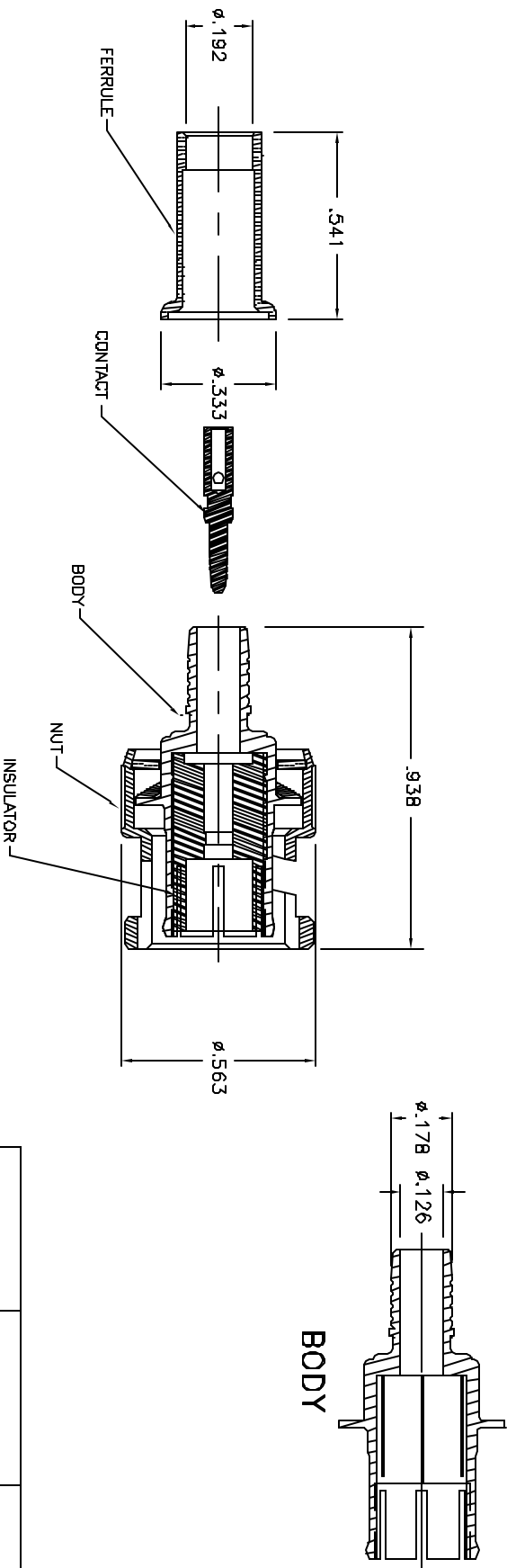


ALL RIGHTS RESERVED. NO PORTION OF THIS PUBLICATION, WHETHER IN WHOLE OR IN PART CAN BE REPRODUCED WITHOUT THE EXPRESS WRITTEN CONSENT OF SPC TECHNOLOGY.

REVISIONS		DOC. NO.	DATE	CHECKD	DATE	APPRVD	DATE
DOP #	REV	DESCRIPTION	DRAWN	DATE	CHECKD	DATE	APPRVD
755	A	RELEASED	SAS	06/21/99	JC	07/21/99	DJC
						07/28/99	



CONTACT

DESCRIPTION	MATERIAL	FINISH
FERRULE	BRASS	BRIGHT NICKEL
CONTACT	BRASS	NICKEL\GOLD
BODY	ZINC	NICKEL
NUT	ZINC	NICKEL
INSULATOR	TPX	WHITE

DISCLAIMER
 ALL STATEMENTS AND TECHNICAL INFORMATION CONTAINED HEREIN ARE BASED UPON INFORMATION AND/OR TESTS WE BELIEVE TO BE ACCURATE AND RELIABLE. SINCE CONDITIONS OF USE ARE BEYOND OUR CONTROL, THE USER SHALL DETERMINE THE SUITABILITY OF THE PRODUCT FOR THE INTENDED USE AND ASSUME ALL RISK AND LIABILITY WHATSOEVER IN CONNECTION THEREWITH.



SPC TECHNOLOGY

TOLERANCES:	
DECIMALS	ANGLES
.X ± .020	X ± 1°
.XX ± .010	
.XXX ± .005	X'X' ± 0'.30'

DRAWN BY:	DATE:	DRAWING TITLE:	SCALE:	U.O.M.:	SHEET:	OF
SCOTT SERRITELLA	06/21/99	BNC CRIMP, PLUG FOR RG-TFE-58 & RG-303	NTS	INCHES	1	1
CHECKED BY:	DATE:	SIZE	DWG. NO.	ELECTRONIC FILE	REV	
JOHN COLE	07/21/99	A	1580	92N3404.DWG	A	
APPROVED BY:	DATE:					
DANIEL CAREY	07/28/99					