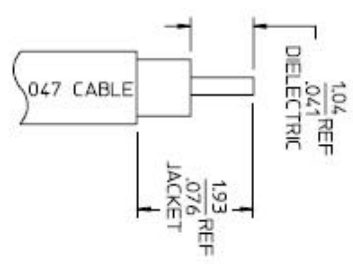
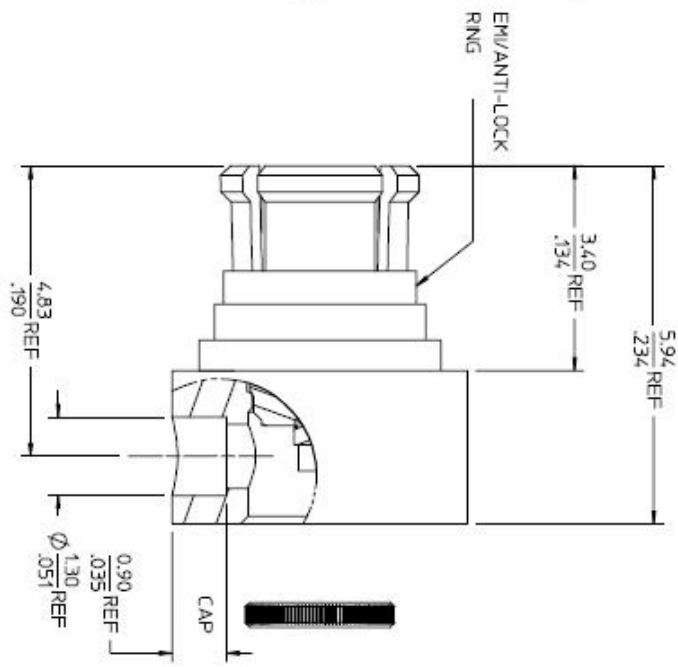
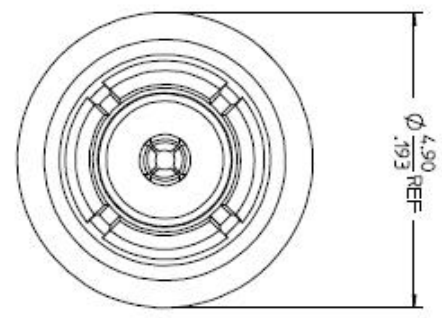


MATERIALS AND FINISHES
 BODY: BERYLLIUM COPPER
 PLATED: GOLD
 CENTER CONTACT: BERYLLIUM COPPER
 PLATED: GOLD
 INSULATOR: PTFE
 EM/ANTI-ROCK RING: BRASS
 PLATED: GOLD
 CAP: BRASS
 PLATED: GOLD



MIL-STD-348A, FIG. 326-1
 INTERFACE

PART NO.	DESCRIPTION
73415-3581	PLACE 73415-3580 INTO SMALL TRAY
73415-3580	BY TRAY

REV	DESCRIPTION	QUALITY SYMBOLS	DATE
A.2	CHG: ADDED -3581 EC NO: URF2007-0311 DRWN:CLL1 CHKD: APPR:MHUANG	\blacktriangle -0 \triangle =0	2007/02/05 2007/02/05 2007/02/05

GENERAL TOLERANCES (UNLESS SPECIFIED)	DRAWING STYLE	SCALE	DESIGN UNITS	THIRD ANGLE PROJECTION
4 PLACES ± .005	MM/IN		METRIC	
3 PLACES ± .005	DATE			
2 PLACES ± .005	ISS			
1 PLACE ± .005	CHECKED BY			
ANGULAR ± 2°	DATE			
	APPROVED BY			
	DATE			

DRAFT WHERE APPLICABLE
 MUST BE MAINTAINED WITHIN DIMENSIONS
 SEE TABLE
 THIS DRAWING CONTAINS INFORMATION THAT IS PROPRIETARY TO MOLEX INCORPORATED AND SHOULD NOT BE USED WITHOUT WRITTEN PERMISSION