

FEATURES AND SPECIFICATIONS

Features and Benefits

- Sizes 1 to 20 circuits available
- Accommodates Polarizing Key 2560-1 and Polarizing Peg 2560-2

Reference Information

Product Specification: PSX10-39

Packaging: Bulk

UL File No.: E29179

CSA File No.: LR19980

Mates With: 3003, 3008 and 3061 headers

Use With: Molex double cantilever crimp terminals

Designed In: Inches

Electrical

Voltage: 250V

Current: 7.0A

Contact Resistance: 20mΩ max.

Dielectric Withstanding Voltage: 1500V

Insulation Resistance: 500K MΩ min.

Mechanical

Contact Insertion Force: 4 lb max.

Contact Retention to Housing: 8 lb min.

Wire Pull-Out Force: 5 lb min. (depends on AWG)

Mating Force: 24 oz max.

Unmating Force: 4 oz min.

Normal Force: 350g

Durability: 25 cycles Tin

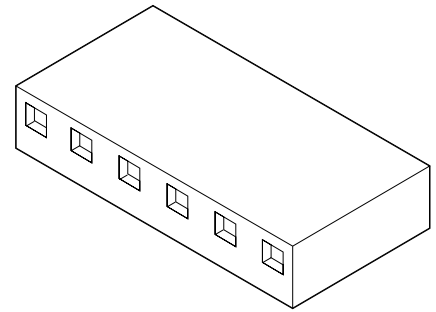
Physical

Housing: Nylon, UL 94V-2

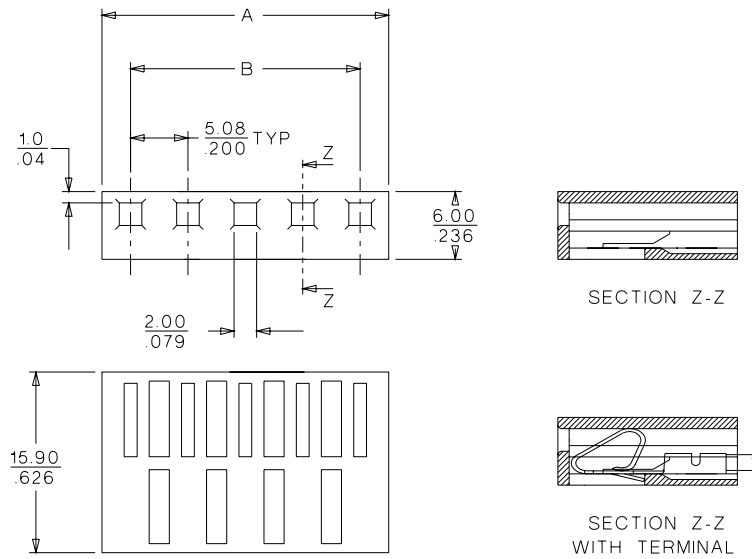
Operating Temperature: -40 to +105°C

molex® 5.08mm (.200") Pitch KK® Crimp Terminal Housing

3001



CATALOG DRAWING (FOR REFERENCE ONLY)



ORDERING INFORMATION AND DIMENSIONS

Circuits	Order No.	Dimension		Circuits	Order No.	Dimension	
		A	B			A	B
1	10-01-1014	5.08 (.200)		11	10-01-1114	55.88 (2.200)	50.80 (2.000)
2	10-01-1024	10.16 (.400)	5.08 (.200)	12	10-01-1124	60.96 (2.400)	55.88 (2.200)
3	10-01-1034	15.24 (.600)	10.16 (.400)	13	10-01-1134	66.04 (2.600)	60.96 (2.400)
4	10-01-1044	20.32 (.800)	15.24 (.600)	14	10-01-1144	71.12 (2.800)	66.04 (2.600)
5	10-01-1054	25.40 (1.000)	20.32 (.800)	15	10-01-1154	76.20 (3.000)	71.12 (2.800)
6	10-01-1064	30.48 (1.200)	25.40 (1.000)	16	10-01-1164	81.28 (3.200)	76.20 (3.000)
7	10-01-1074	35.56 (1.400)	30.48 (1.200)	17	10-01-1174	86.36 (3.400)	81.28 (3.200)
8	10-01-1084	40.64 (1.600)	35.56 (1.400)	18	10-01-1184	91.44 (3.600)	86.36 (3.400)
9	10-01-1094	45.72 (1.800)	40.64 (1.600)	19	10-01-1194	96.52 (3.800)	91.44 (3.600)
10	10-01-1104	50.80 (2.000)	45.72 (1.800)	20	10-01-1204	101.60 (4.000)	96.52 (3.800)